

HAMMER

56



Instructions Manual



Manual de Instrucciones



Manuel d'emploi



MADE IN SPAIN (EU)



Manufacturer
Fabricante

KUZAR SYSTEMS S.L.
C/ Ciudad de Ferrol nº 8
Pol. Ind. Fuente del Jarro
46988 Paterna - Valencia (Spain)
Tel. +34 96 279 83 14
info@kuzarindustrial.es

1. INTRODUCTION.

Dear user. Thank you purchasing your Kuzar Industrial HAMMER 56 lifter. We hope you will be very satisfied with it.

This manual has been written so that you can understand how to effectively use the lift and most importantly, so that you can use it safely. It is important that you fully read the manual and follow the instructions carefully before using your lift.

All Kuzar Industrial lifts undergo a very strict quality control process during their manufacture. So that your lift always works properly please only purchase original Kuzar Industrial parts from an authorized distributor or dealer. The user waives all warranty rights if using parts other than Kuzar Industrial or if the product is manipulated in any way by an unauthorized third party.

When requesting parts, please refer to the diagrams of this manual and quote the serial number and year of manufacture located on your lifter.

2 - TECHNICAL SPECIFICATIONS.

The HAMMER 56 Lifter has been designed for vertically lifting loads, and horizontal movements with the load lifted at minimum height.

2.1 - Max. load: 300 kg

2.2 - Min. load: 25 kg

2.3 - Security system: Inertial block

2.4 - Max. height:

Forks upper position: 5.6m

Forks lower position: 5.2m

2.5 - Folded height: 1.975 m

2.6 - Work surface: 1.84 x 1.82 m

2.7 - Folded surface: 0.72 x 0.895 m

2.8 - Weight: 160 kg

2.9 - Load support: Forks 74,5cm.

2.10 - Construction material : 6082-T6 aluminium for the main body, comprised of 4 profiles and a lifting carriage. Base and legs are made of steel profile according to DIN 2394. Catches and pulleys of ST-37 steel.

2.11 - Winch: 900 Kg. maximum load with automatic brake. Certification CE and GS TÜV.

2.12 - Cable: Steel DIN 3060. Tensile strength 180 kg/mm². Anti-torsion & anti-corrosion. Ø6mm cable diameter.

3. - SAFETY PRECAUTIONS.



3.1 - The HAMMER is a machine designed to elevate loads upwards in a vertical direction, It should NEVER be used as a platform to elevate people.



3.2 - Only place the lift on hard, flat surfaces always checking that it is in a vertical position by using the bubble level indicator found on the base. Adjust the leg stabilizers by turning the handles to level if necessary. NEVER use wedges or other foreign objects to balance the lift.



3.3 - The maximum load indicated on the characteristics label and the instructions manual should not be exceeded.



3.4 - This lifter should NEVER be used to elevate a load that has not been properly checked. It is necessary to verify that the load is correctly supported and centred on the appropriate lift support so that the weight of the load will only elevate in a vertical direction.



3.5 - Check that the legs are placed and set-up correctly with their safety pins inserted and locked.



3.6 - NEVER use the lift on a vehicle or any other mobile surface.



3.7 - If there is a possibility of strong winds or gusts, place the lift on the ground firmly and secure it with the use of straps. NEVER attach a strap to a vehicle or any other object that can possibly be moved.



3.8 - NEVER move the lift whilst it is carrying a load and elevated over 2.5m. It is not advisable to carry out any type of horizontal movement even small positional adjustments. You can only move the lifter when its load is at **minimum** height.



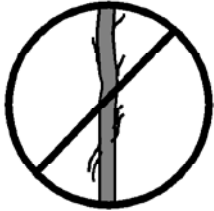
3.9 - NEVER allow any team member below the load or anybody else in the lifts operating zone.



3.10 - Be careful with all obstacles above the lift and its extension zone such as cornices, balconies, and luminous signboards. It is very important to avoid the presence of all types of cables below the extended lift.



3.11 - Do not use stepladders on the lift or use it as a support for them.



3.12 - Before using the lift, check the condition of the cable. The cable should not have broken threads or show any signs of crushed/flattened areas. NEVER use faulty cables, always change them if there is any doubt. Only use Kuzar Industrial steel cables; reference: DIN 3060. Quality: 180KG/mm and torsion resistant.



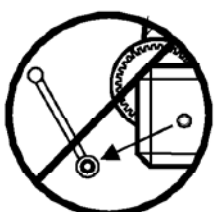
3.13 - All sections must be lowered first, and the legs placed in its transport position, before transportation.



3.14 - Do not grease or lubricate the winch's braking mechanism. The brake disks have been greased with a special heat and pressure resistant solution. Other products should not be used to avoid negative effects regarding the braking mechanism.



3.15 - The minimum load to avoid problems regarding the braking mechanism is 25Kg. Without this load the brake will not work.



3.16 - NEVER take apart the crank of the winch when the lift is carrying a load or extended.



3.17 - Only original replacement parts should be used.

4. USER INSTRUCTIONS.

4.1 - With the lifter in vertical position, bring down all the aluminium profile by turning the winch handle anti-clockwise. Then take out the “transport blocking piece” located on the side of the lifter and turn it clockwise until it blocks the last aluminium profile. Thus any movement of the profiles will be impossible.

4.2 - Place the transport handle (**T**) in a horizontal position and lock it with the pin and the clip (**Figure 4.2.1**), then tilt the lifter to place it horizontally on the rubber wheels (**Figure 4.2.2**).

4.3 - Once the lifter is in horizontal position, take the pin (**P**) out of the transport position hole (**B**) (**Figure 4.3.1**). Then proceed to tilt or bring down the frontal leg (**FL**) until you place it in its working position. Put the pin inside the working position hole (**W**) to block any movement of the leg (**Figure 4.3.2**). Repeat this step for both legs.

Figura 4.2.1

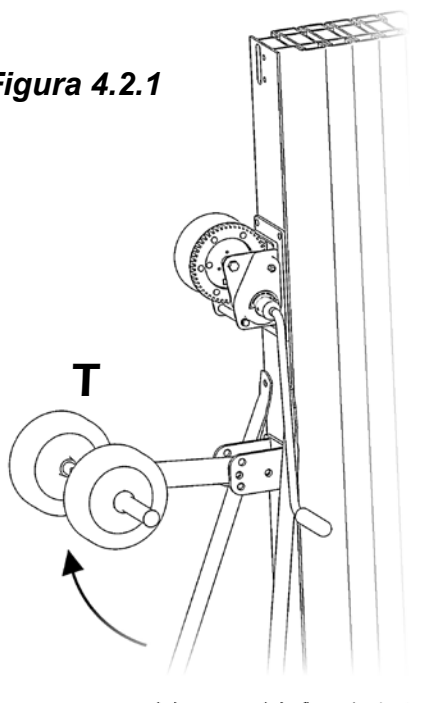


Figura 4.3.1

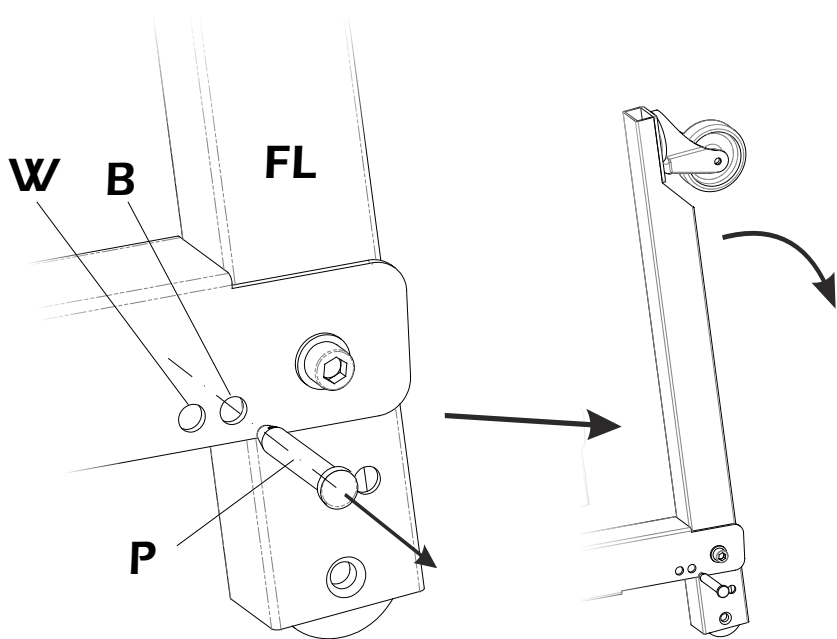


Figura 4.2.2

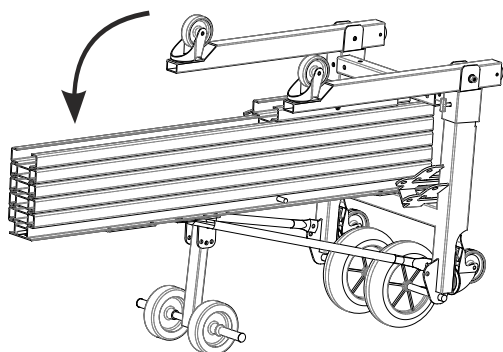
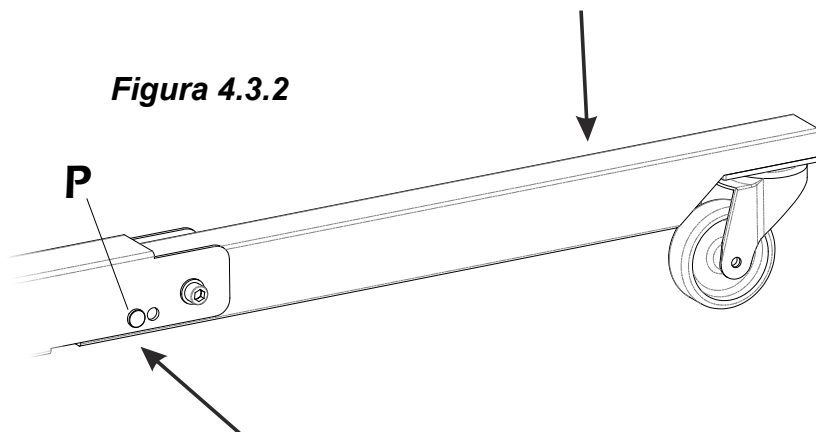


Figura 4.3.2



4.4 - Now unlock the short legs (**SL**) by removing the security pin from the transport position (**S1**), then tip and slide the leg over the base until it is horizontal, match the hole in the short leg with the working position in the support (**S2**), and block it with the pin and the clip. Repeat this step for both legs (*See figure 4.4.1*).

4.5 - Once all the legs are in working position, tilt the tower carefully back to upright. By using the transport wheels of the lifter, place it where it is going to be used, please note the lifter has to be placed on a flat and firm surface so that it can be operated at maximum capacity.

4.6 - **CAUTION!** DO NOT ELEVATE THE LIFTER BEFORE REMOVING THE TRANSPORT LOCK. As explained in section 4.1, on the side of the lifter there is the transport lock, turn it up as is shown in *figure 4.6.1* to place it in vertical position to unlock the sections and elevate the lifter without any problem.

Figure 4.4.1

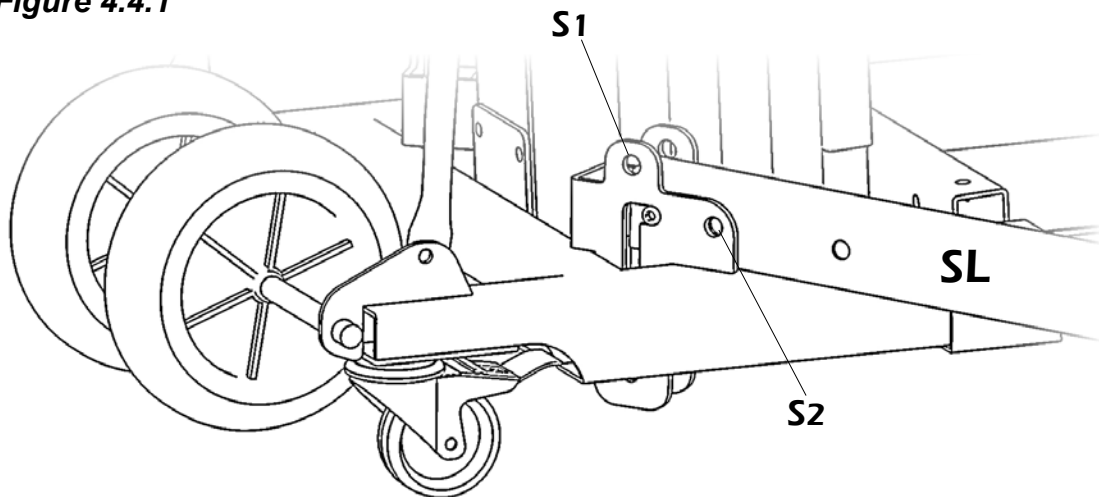
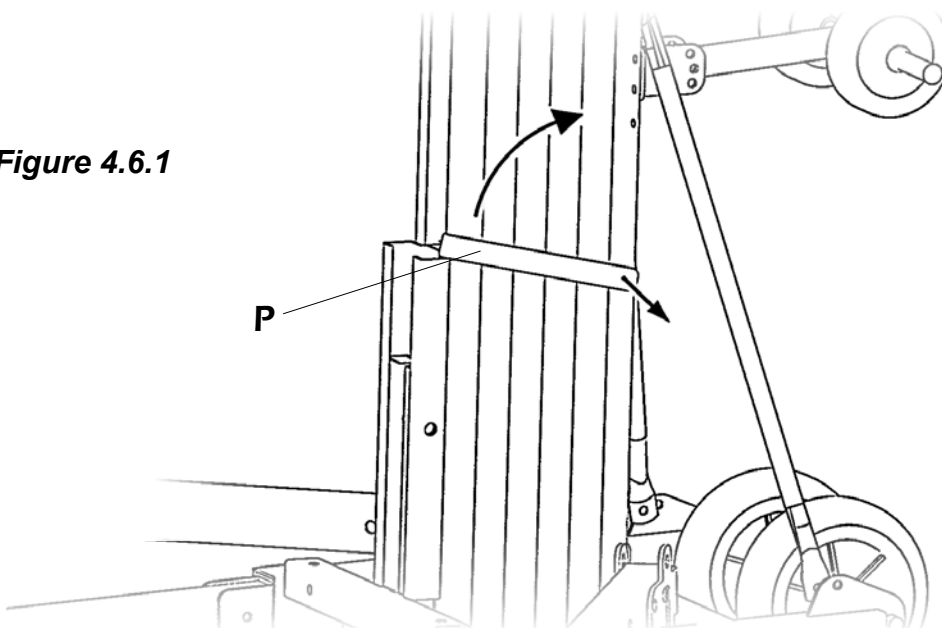


Figure 4.6.1



4.7 - Elevate the lifter by turning the winch handle clockwise until the last aluminium profile is raised above the base. Then, remove the forks and place them back in horizontal position (the forks must be leaning upwards, never pointed downwards), finally block them with the pins and the clips. (See figure 4.7.1 y 4.7.2).

Figure 4.7.1

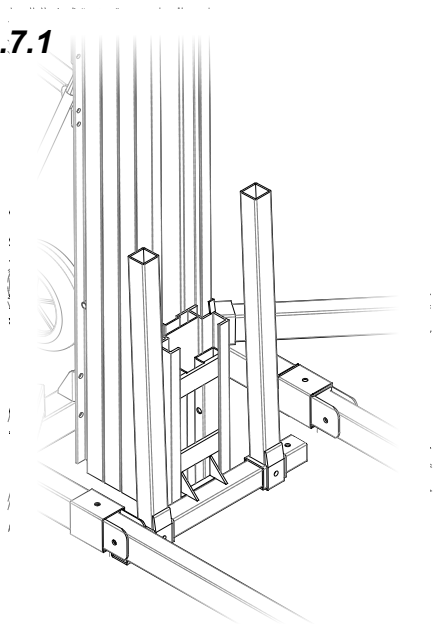
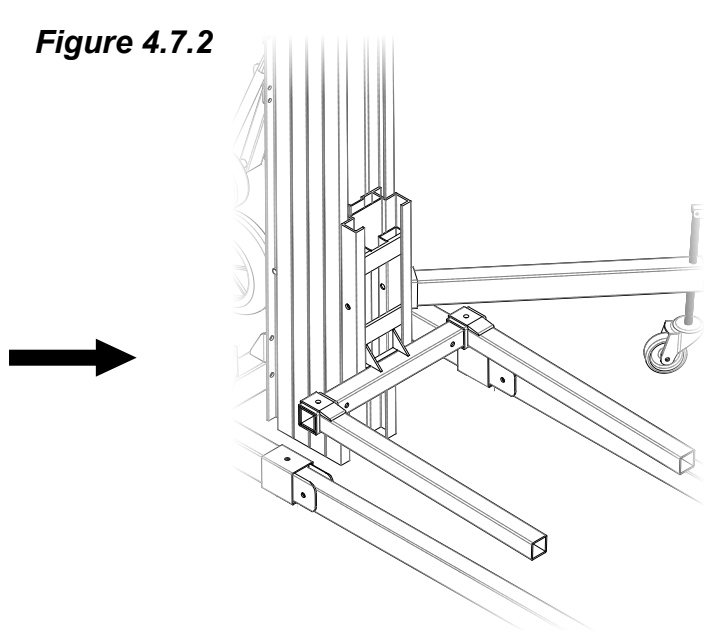


Figure 4.7.2



4.8- THE MAXIMUM LOAD MUST NOT BE EXCEEDED.

The lifter should NEVER be overloaded. Safety at work is the most important issue. Place the load onto the lift using an adequate Kuzar Industrial support according to your needs, use it so that the weight of the load is balanced. The minimum load is 25 Kg.

IMPORTANT - HOW TO PLACE THE LOAD ON THE LIFTER

Always load as close to the tower as possible.

Follow the instruction of the next picture to place the load correctly, **diagram 4.9** shows the load out of the gravity center, with distances to the lifting carriage at a maximum lifting. Notice that the maximum load diminishes according to the distance from the body of the tower.

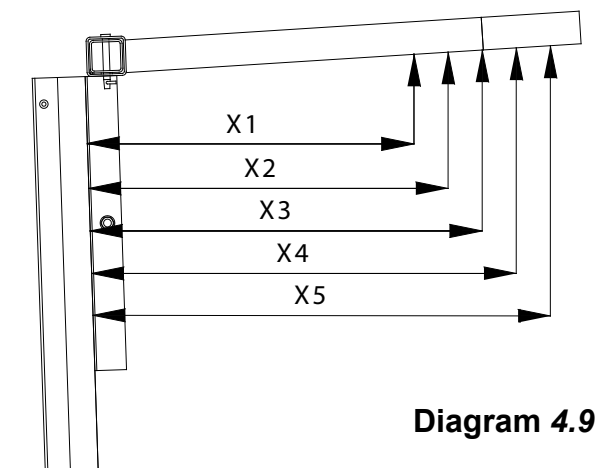


Diagram 4.9

kuzar®			HAMMER 56
POSITION	DISTANCE	LOAD	PERCENTAGE
X1	25 cm	300 kg	100%
X2	35 cm	285 kg	95%
X3	45 cm	250 kg	83%
X4	55 cm	225 kg	75%
X5	65 cm	150 kg	50%
X6	75 cm	100 kg	33%

4.10 - Elevation & Hold: To lift the sections of the lifter, turn the winch handle clockwise, all sections can be left in any intermediate position, when you reach the desire height just stop turning the handle, the automatic brake of the winch will block and hold the load.

4.11 - Lowering: To bring down the sections of the lifter, firstly it is necessary to turn the winch handle slightly clockwise to free the clutch of the winch, then turn the handle anti-clockwise until all section are lowered.

4.12 - Transport WITH LOAD: The HAMMER lifter has been designed to be moved with load on it, if necessary. But before moving the lifter, you must bring down the sections to the minimum height possible in order to avoid the swinging of the load, or possible impacts or hook ups with unexpected obstacles. **In case of strong winds NEVER use the lifter, in any case.**

4.13 - Security system of the lifter: The HAMMER incorporates an Inertia Brake System, to protect you and your load in the unlikely event of the cable breaking. It has a special pendulum in each section which automatically activates in case of a sudden fall to block the lifter. If the pendulum activates accidentally just raise the sections again to unlock it.

4.14 - POSITION OF THE FORKS SUPPORT: The forks support of the lifter have two different positions. To change the position, first, you have to remove the forks, then loose the wing nut and remove the screw to slide the fork support out of the lifter, turn it 180° and put it back in again at the other end of the alluminium lifting carriage, match the holes and put the screw again, then tighten it with the wing nut. The maximum height of the lifter is achieved only when the forks support is in the upper position.

4.15 - FOLD & TRANSPORT: To fold the lifter, tilt and place it horizontally on the wheels of the transport handle (*T*) as explained in **section 4.2**, then remove the pin (*P*) out of the working position (*W*) (**Figure 4.15.1**), then swing the leg back to the folded position (**Figure 4.15.2**). Finally, put the pin back in the transport position (*B*) and secure it with the clip, that way the leg will be block while moving or transporting the lifter. (**Figure 4.15.3**)

Figura 4.15.1

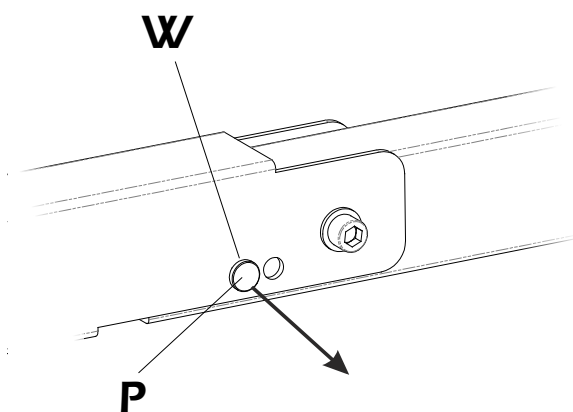


Figura 4.15.2

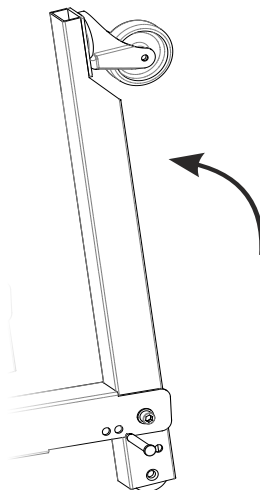
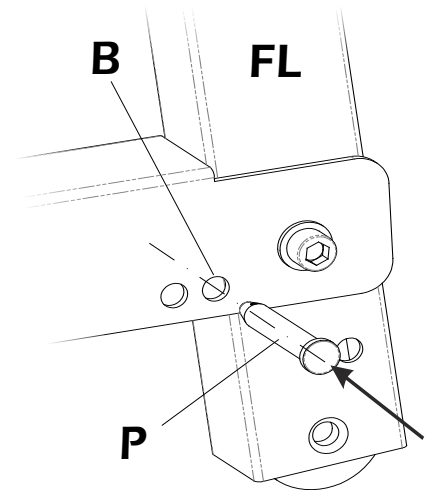


Figura 4.15.3



5 - MAINTENANCE.

5.1 - All cables must be checked regularly. Faulty cables must be replaced immediately. Do not use the lifter with faulty cables as it is potentially very dangerous. Only use DIN 3060 cables, supplied from an authorised dealer.

5.2 - The lifter is delivered ex factory completely greased. Depending on its mechanical Use though, we recommend that the crown wheel of the winch, the pads & bushings of the drive shaft, the handle thread and the profiles of the lift are periodically greased.

ATTENTION:

Do not apply oil or grease to the brake mechanism. The brake discs have been pre-greased with a special heat and pressure resistant grease. To avoid malfunction to the winch brake, no other products must be used except the original provided by the company. It is not necessary to grease the brake discs.

5.3 - Your lifter should be inspected at least once a year by a specialized / authorized service centre.

5.4 - Only original Kuzar Industrial spare parts must be used to guarantee the reliability and operational safety of your lifter. The user shall lose all warranty claims if he uses anything other than original spare parts or modifies this product in any way.

5.5 - In case a spare part is required please indicate the reference number which can be found in the spare parts list at the back of this manual.

6 - WARRANTY.

All Kuzar Industrial lifts come with 2 years warranty. This warranty period is from the date of purchase. Kuzar Industrial will repair any defect product caused by either faulty materials or poor workmanship free of charge within this period as long as the parts are fitted by an authorized Kuzar Industrial dealer. Should the product have been manipulated in any way or a repair attempted by an unauthorized dealer the warranty will be invalid. This warranty does not cover damage occurred by improper use.

Kuzar Industrial reserves the right to make any modification/alteration to the HAMMER model without prior notice. Any modification/alteration would be an innovation, intended to improve the product.

1. INTRODUCCIÓN.

Estimado usuario. Gracias por la compra de su torre elevadora Kuzar Industrial HAMMER 56. Esperamos quede satisfecho con ella.

Este manual ha sido escrito para que usted pueda entender cómo utilizar eficazmente la torre y lo más importante, el modo para que pueda utilizarla con seguridad. Es importante que lea el manual y siga las instrucciones cuidadosamente antes de usar la torre.

Todas las torres Kuzar Industrial son sometidas a un proceso de control de calidad muy estricto durante su fabricación. Para que su torre elevadora funcione siempre correctamente por favor reemplazar únicamente con piezas originales Kuzar Industrial de un distribuidor o concesionario autorizado. El usuario renuncia a todos los derechos de garantía si se usan piezas que no sean Kuzar Industrial o si el producto es manipulado por un tercero no autorizado.

Al solicitar piezas, por favor consulte los dibujos de este manual así como el número de serie y año de fabricación ubicados en el elevador.

2. INFORMACIÓN TÉCNICA.

La Torre elevadora **HAMMER 56** ha sido diseñada para elevar cargas en sentido vertical a diferentes alturas, y ser desplazada cuando está elevada a mínima altura.

2.1 - Carga máxima: 300 kg.

2.2 - Carga mínima: 25 Kg.

2.3 - Seguridad: Sistema de bloqueo de inercia.

2.4 - Altura máxima:

Horquillas / Brazos de carga a máxima altura: 5.6m

Horquillas / Brazos de carga invertidos: 5.2m

2.5 - Altura plegada: 1,975 m.

2.6 - Superficie en posición de trabajo: 1.84 x 1.82 m.

2.7 - Superficie plegada: 0.72 x 0.895 m.

2.8 - Peso de la torre: 160 kg.

2.9 - Soporte de carga: Brazos de carga de 74.5cm.

2.10 - Material de construcción: Cuerpo principal de cuatro tramos más carro elevador en perfil de aluminio extrusionado 6082-T6. Base, patas y soportes varios, en acero según DIN 2394. Gatillos de seguridad y poleas acanaladas en acero ST-37.

2.11 - Cabrestante: 900kg de carga máxima con freno automático de retención de la carga. Certificación CE y GS TÜV.

2.12 - Cable: Acero DIN 3060. Calidad de resistencia a la torsión 180 kg/mm².

Diámetro del cable: Ø6 mm.

3. PRECAUCIONES DE SEGURIDAD.

3.1 - La torre elevadora HAMMER es una máquina diseñada para la elevación de cargas en dirección vertical. NUNCA se debe utilizar como plataforma elevadora de personas.



3.2 - Colocar el elevador sólo en superficies firmes y planas, verificando que está en posición vertical, utilizando el indicador de nivel de burbuja que se encuentra en la base. Ajuste los estabilizadores girando las manivelas hasta nivelar, si es necesario. Nunca utilice cuñas u otros objetos extraños para equilibrar el elevador.



3.3 - La carga máxima indicada en las características técnicas mostradas en la etiqueta de la torre o en este manual NO deben ser excedidas.



3.4 - Este elevador NUNCA debe utilizarse para elevar una carga que no ha sido correctamente revisada. Es necesario verificar que la carga está correctamente apoyada y centrada en el soporte de elevación apropiado para que el peso de la carga sólo actúe en una dirección vertical.



3.5 - Comprobar que las patas estén situadas correctamente, y fijadas con los pasadores de seguridad los cuales deben estar introducidos y bloqueados con el clip en forma de "R".



3.6 - NUNCA use el elevador sobre un vehículo o cualquier superficie móvil.



3.7 - Si existe la posibilidad de vientos fuertes o ráfagas, coloque el elevador en el suelo con firmeza y fijelo mediante tirantes tensores. Nunca fije un tirante a un vehículo o cualquier otro objeto que se pueda mover.



3.8 - **NUNCA** mueva el elevador mientras esté cargado y este elevado por encima de 2,5m. No es aconsejable llevar a cabo ningún tipo de movimiento horizontal, ni tan sólo pequeños ajustes de posición. Tan solo mueva la torre cargada cuando la tenga elevada a la mínima altura posible.



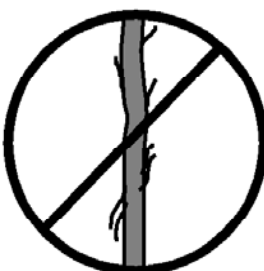
3.9 - **NUNCA** permita que ningún miembro del equipo o cualquier otra persona se sitúe debajo de la carga en la zona de operación de las torres elevadoras.



3.10 - Tenga cuidado con todos los obstáculos por encima de la elevación y su zona de extensión, como cornisas, balcones, letreros luminosos, etc. Es muy importante evitar la presencia de todo tipo de cables por debajo de la torre extendida.



3.11 - No usar escaleras encima del elevador ni utilizarlo como un apoyo para éstas.



3.12 - Antes de utilizar el elevador, compruebe el estado del cable. El cable no debe contener hilos rotos o mostrar signos de áreas aplastadas/aplanadas.

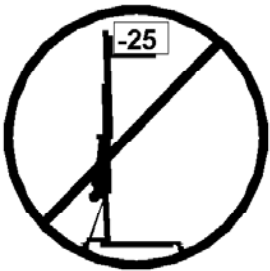
NUNCA use cables defectuosos, siempre debe cambiarlos si hay alguna duda. Utilice solamente cable de acero Kuzar Industrial referencia: DIN 3060. Calidad: 180kg/mm y resistente a la torsión.



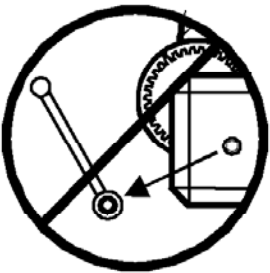
3.13 - Antes de transportar la torre, todos los tramos deben ser bajados, y las patas deben colocarse en su posición de transporte.



3.14 - No engrasar ni lubricar el mecanismo de freno del cabestrante. Los discos de freno vienen engrasados con una solución especial resistente a la presión y al calor. No deben utilizarse otros productos, para evitar los efectos negativos sobre el mecanismo de frenado.



3.15 - La carga mínima para evitar problemas relacionados con el mecanismo de frenado por rotura de cable es 25 kg. Sin esta carga mínima el freno no funcionará.



3.16 - NUNCA desmontar la manivela del cabrestante cuando el elevador está soportando una carga o extendido.



3.17 - Sólo deben ser utilizadas piezas de repuesto originales de KUZAR SYSTEMS S.L.

4. INSTRUCCIONES DE USO.

4.1 - Con la torre en posición vertical, descienda todos los tramos de aluminio girando la manivela del cabrestante en sentido anti-horario. Seguidamente, coloque el “*bloqueo de transporte*” situado en el lateral de la torre en posición casi horizontal, para ello extraigalo y girelo hasta encajarlo con el último tramo, de esta forma ya no será posible ningún movimiento de los tramos de aluminio.

4.2 - Coloque el asa de transporte (**T**) en posición horizontal bloqueandola con el pasador y su clip (**Ver figura 4.2.1**). A continuación vuelque la torre elevadora para colocarla en posición horizontal sobre las ruedas de goma (**Ver figura 4.2.2**).

4.3 - Una vez la torre esté en posición horizontal, extraiga el pasador (**P**) de su posición de bloqueo (**B**) (**Ver figura 4.3.1**). A continuación proceda a bascular/bajar la pata frontal (**FL**) hasta colocarla en su posición de trabajo. Vuelva a colocar el pasador (**P**) en la posición de trabajo (**W**) para bloquear la posición de la pata frontal. (**Ver figura 4.3.2**) Realice este paso para las dos patas.

Figura 4.2.1

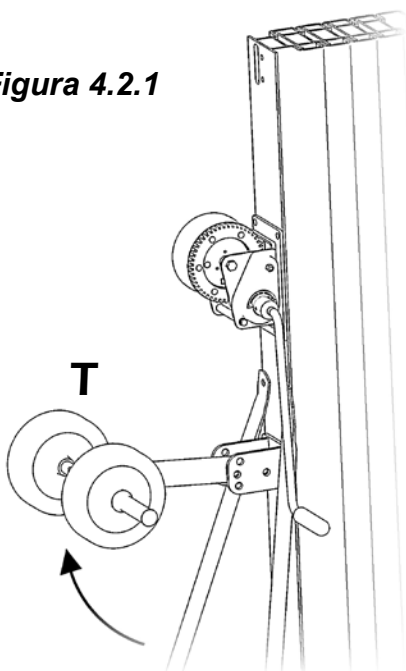


Figura 4.3.1

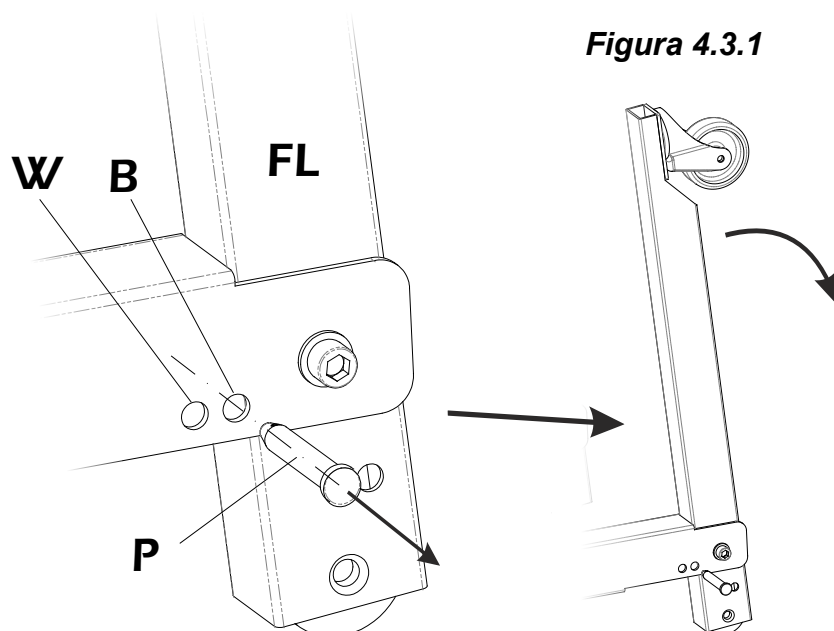


Figura 4.2.2

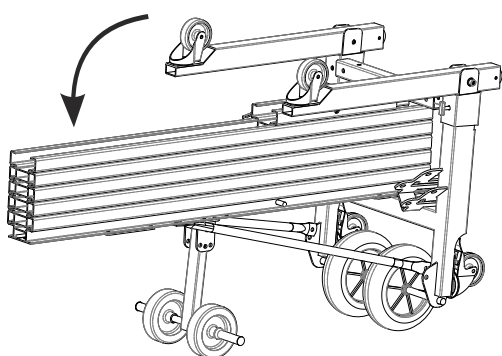
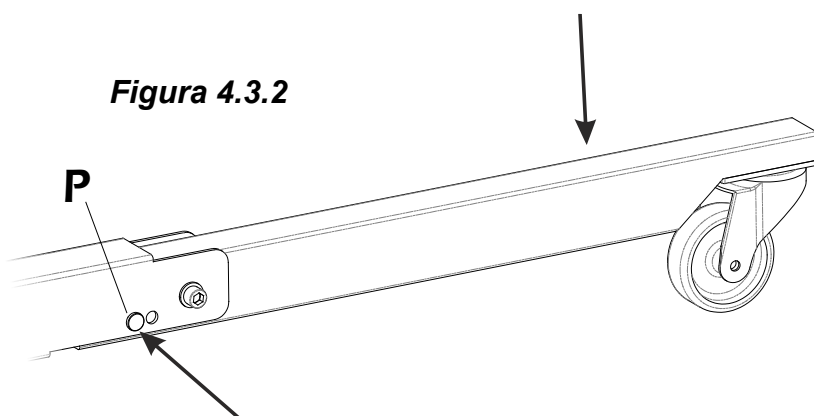


Figura 4.3.2



4.4 - A continuación desbloquee las patas cortas (**SL**) retirando el pasador de seguridad de la posición de transporte (**S1**), ahora vuelque y deslice la pata corta sobre su soporte hasta situarla en posición horizontal, haga coincidir el agujero en la pata corta con la posición de trabajo (**S2**) y bloqueeela con el pasador y su clip de seguridad.

Realice este paso para las dos patas (**Ver figura 4.4.1**).

4.5 - Una vez todas las patas están en posición de trabajo, vuelva a volcar la torre con cuidado a posición vertical. Sirviendose de las ruedas de transporte coloque la torre en el lugar donde se vaya a utilizar, tenga en cuenta que debe ser una superficie lo más plana y firme posible para que la torre opere a máxima capacidad.

4.6 - **¡CUIDADO!** NO ELEVE LA TORRE SIN ANTES QUITAR EL BLOQUEO DE TRANSPORTE DE LA TORRE.

Como se ha explicado en el punto **4.1**, en el lateral de la torre se encuentra el “bloqueo de transporte”, para liberar los tramos gírelo hasta situarlo en posición vertical y poder elevar la torre sin problemas (**Ver figura 4.6.1**).

Figura 4.4.1

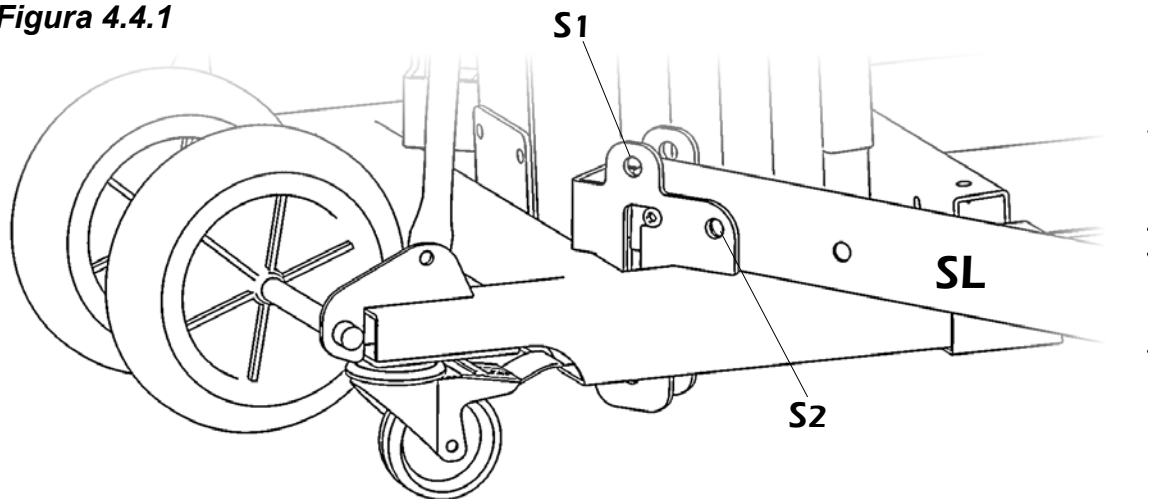
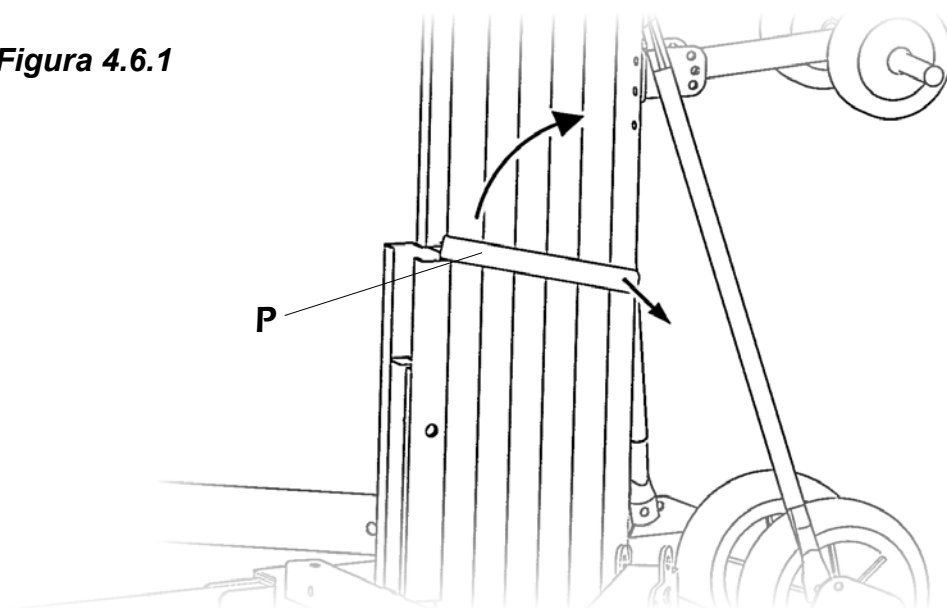


Figura 4.6.1



4.7 - Eleve la torre girando la manivela del cabrestante en sentido horario hasta que se eleve el tramo final de aluminio por encima de la altura de la base. Ahora, libere los brazos de carga y colóquelos en posición horizontal (los brazos quedarán inclinados hacia arriba, nunca hacia abajo), para finalizar inserte los pasadores de seguridad con sus clips. (Ver figura 4.8.1 y 4.8.2).

Figura 4.8.1

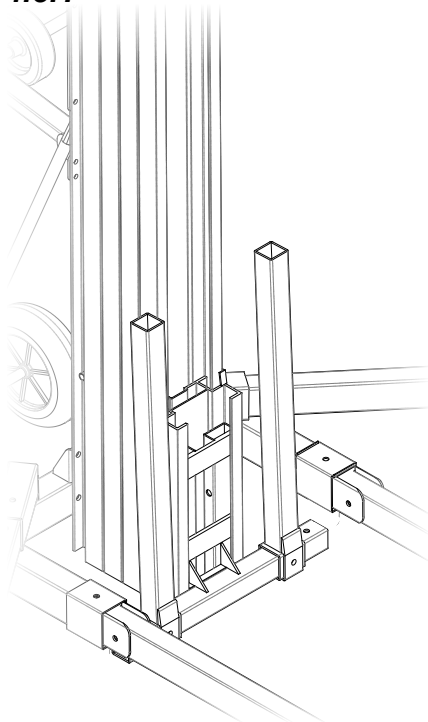
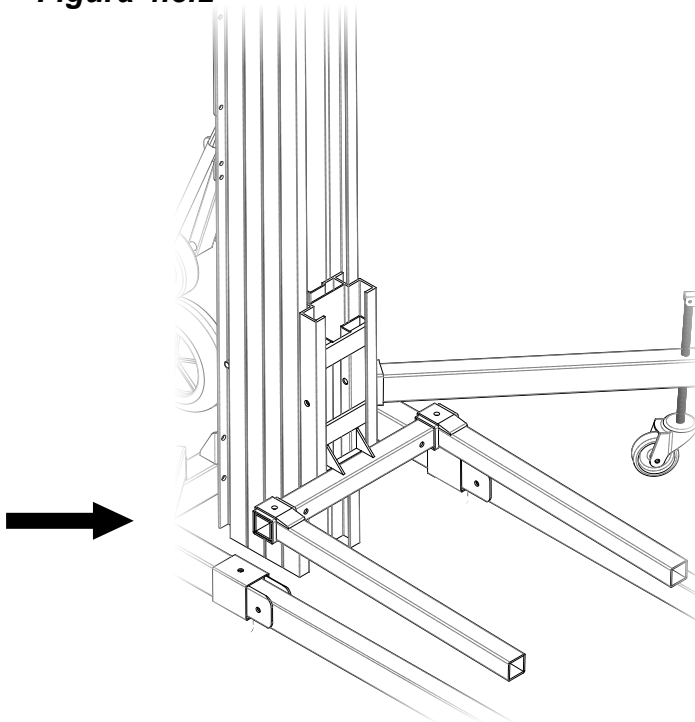


Figura 4.8.2

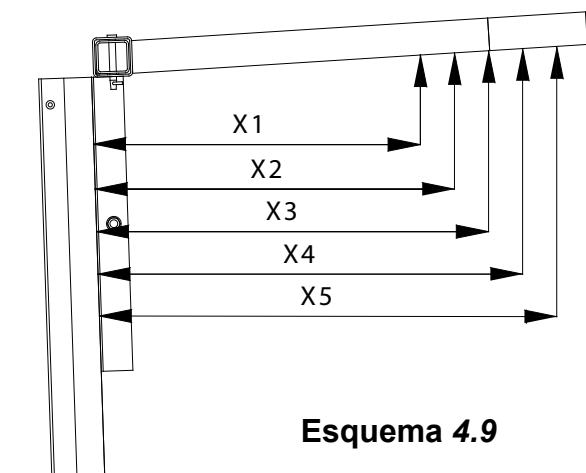


4.8 - LA CARGA MÁXIMA PARA LA TORRE HAMMER NO DEBE SER EXCEDIDA NUNCA.

La torre elevadora **NUNCA** debe ser sobrecargada. La Seguridad en el Trabajo es el elemento más importante. Coloque la carga en el elevador mediante un soporte adecuado según su necesidad, de modo que el peso de la carga este equilibrado. La carga mínima son 25 kg.

Como colocar la carga:

Cargue siempre tan cerca de la torre como pueda. La capacidad de carga de la torre decrece cuanto más lejos este la carga separada de la torre, como se ilustra en el esquema 4.9. El cual muestra la carga en su centro de gravedad con distancias a la parte trasera del tramo de aluminio que sostiene los brazos de hierro.



Esquema 4.9

kuzar®			HAMMER 56
POSITION	DISTANCE	LOAD	PERCENTAGE
X1	25 cm	300 kg	100%
X2	35 cm	285 kg	95%
X3	45 cm	250 kg	83%
X4	55 cm	225 kg	75%
X5	65 cm	150 kg	50%
X6	75 cm	100 kg	33%

4.10 - Elevación y Bloqueo: Para elevar la torre gire la manivela del cabrestante en sentido horario, la torre puede dejarse en cualquier posición intermedia, cuando alcance la altura deseada tan solo deje de girar la manivela y el freno automático del cabrestante bloqueará y sujetará la carga.

4.11 - Descenso: Para descender la torre es necesario primero girar la manivela del cabrestante ligeramente en sentido horario para liberar el embrague del cabrestante, y a continuación, girar la manivela en sentido anti-horario hasta que todos los perfiles estén completamente bajados.

4.12 - Transporte CON CARGA: La torre HAMMER ha sido diseñada para poder desplazarla con carga si fuera necesario. Para desplazar la torre con la carga en ella se debe descender a la mínima altura posible los tramos de aluminio para evitar, principalmente, balanceos de la carga y posibles golpes o enganches con obstáculos imprevistos.

ATENCIÓN: En caso de vientos NO se debe utilizar la torre en ningún caso.

4.13 - SEGURIDAD DE LA TORRE: La torre HAMMER cuenta con un sistema de freno inercial, para protegerlo a usted y su carga en el improbable caso de que el cable se rompa. Cuenta con un péndulo especial en cada tramo, que en caso de movimiento descendente brusco se activa automáticamente y bloquea la torre. En caso de que este se active por accidente tan solo eleve la torre de nuevo para desbloquearlo.

4.14 - POSICIÓN DEL SOPORTE DE BRAZOS: El soporte de los brazos de carga de la torre tiene dos posiciones. Con los brazos de carga quitados, desenrosque la palomilla y extraiga el tornillo de seguridad, luego deslize el soporte y extraigalo del perfil de aluminio, gírelo 180° y vuelva a colocarlo por el otro extremo del perfil de aluminio hasta que haga tope, vuelva a asegurarlo con su tornillo y palomilla de seguridad. **La máxima altura de la torre se consigue cuando el soporte de brazos esta situado en la posición superior.**

4.15 - Para proceder a **PLEGAR LA TORRE**, vuelvela a posición horizontal como en el paso 4.2, luego retire el pasador (**P**) de la posición de trabajo (**W**) (Ver figura 4.15.1) y abata la pata (Ver figura 4.15.2). A continuación vuelva a colocar el pasador (**P**) en la posición de transporte (**B**) para así evitar que se mueva durante el transporte. (Ver figura 4.15.3).

Figura 4.15.1

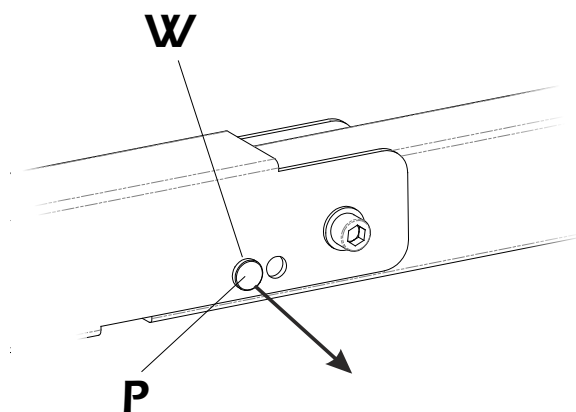


Figura 4.15.2

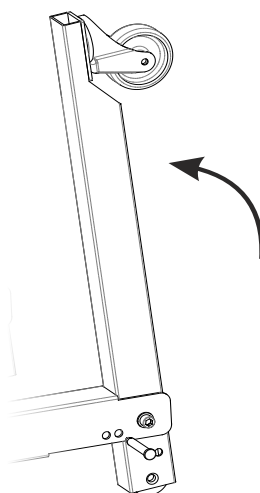
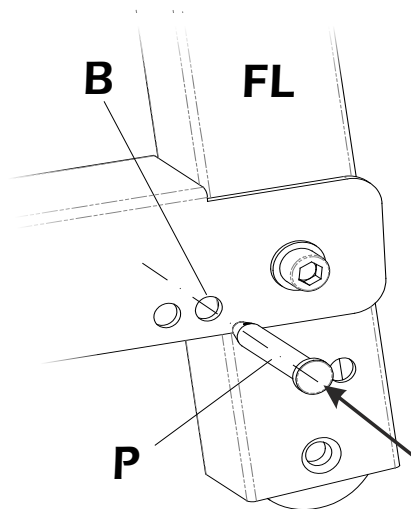


Figura 4.15.3



5 - MANTENIMIENTO.

5.1 - Todos los cables deben ser revisados regularmente. Los cables defectuosos deben sustituirse inmediatamente. No utilice el elevador con cables en mal estado, ya que es potencialmente muy peligroso. Utilice únicamente cables DIN 3060, suministrados por un distribuidor autorizado.

No utilice el elevador con cables en mal estado, ya que es potencialmente muy peligroso. Utilice únicamente cables DIN 3060, suministrados por un distribuidor autorizado.

5.2 - La torre se entrega completamente engrasada de fábrica. Dependiendo de su uso mecánico, se recomienda que las coronas dentadas del cabrestante y del eje de transmisión y los perfiles de elevación sean periódicamente engrasados.

ATENCIÓN:

No engrasar ni lubricar el mecanismo de freno situado en el interior de la tapa plástica. Los discos de freno, han sido previamente engrasados con una grasa especial resistente a la presión y el calentamiento. Para evitar el mal funcionamiento del freno del cabrestante, no deben ser utilizados otros productos distintos a los originales suministrado por la empresa. No es necesario engrasar los discos de freno.

5.3 - Su torre elevadora debe ser inspeccionada al menos una vez al año por un centro de servicio especializado / autorizado.

5.4 - Deben utilizarse sólo piezas originales de repuesto Kuzar Industrial para garantizar la fiabilidad y seguridad de funcionamiento de la torre. El usuario perderá todos los derechos de garantía si se utiliza otras piezas de repuesto que las originales o modifique este producto de alguna manera.

5.5 - En caso de requerir una pieza de recambio es necesario indicar el número de referencia que se puede encontrar en la Lista de Repuestos de la parte posterior de este manual.

6 - GARANTÍA.

Todas las torres Kuzar Industrial vienen con 2 años de garantía. Este período de garantía se inicia desde la fecha de compra. Kuzar Industrial reparará cualquier defecto del producto, ya sea causado por defectos de materiales o mano de obra defectuosa de forma gratuita dentro de este plazo, siempre y cuando las partes están relacionadas a través de un distribuidor autorizado Kuzar Industrial. Si el producto hubiera sido manipulado de algún modo o sufriera un intento de reparación por un distribuidor no autorizado, la garantía no será válida. Esta garantía no cubre el daño producido por un uso inadecuado.

Kuzar Industrial se reserva el derecho de realizar cualquier modificación / alteración del modelo HAMMER sin previo aviso. Cualquier modificación / alteración sería una innovación, destinada a mejorar el producto.

1. INTRODUCTION.

Cher utilisateur, merci d'avoir acheté votre lève-matériaux Hammer 56. Nous espérons qu'il vous apportera pleinement satisfaction.

Ce manuel a été rédigé afin que vous puissiez utiliser votre lève-matériaux de la manière la plus efficace possible et surtout en toute sécurité. Il est important que vous lisiez ce manuel dans son intégralité et que vous suiviez scrupuleusement les instructions avant d'utiliser ce matériel.

Les lève-matériaux Hammer subissent un contrôle de qualité très strict tout au long de leur fabrication. Afin que votre lève-matériaux puisse toujours fonctionner correctement, il convient de toujours vous procurer les pièces détachées originales. L'utilisateur renonce à la garantie sur ce matériel si les pièces détachées utilisées ne sont pas d'origine ou si le matériel a subi une intervention par une tierce partie non autorisée.

Lorsque vous avez besoin de pièces détachées, veuillez toujours vous référer aux vues éclatées incluses dans ce manuel et préciser le n° de série ainsi que l'année de fabrication qui sont indiqués sur votre lève-matériaux.

2. DONNEES TECHNIQUES.

Le lève-matériaux **HAMMER 56** a été conçu pour lever verticalement des charges, ainsi que pour déplacer horizontalement une charge à une hauteur recommandée de 30cm maximum du sol.

2.1 - Charge maximale de levage de l'élèvevateur: 300kg

2.2 - charge minimum: 25kg.

2.3 - Système de sécurité: système de frein à inertie.

2.4 - Hauteur maximum: 5.6 m fourches en position haute, 5.20 m fourches en position basse.

2.5 - Hauteur replié: 1.975 m

2.6 - Encombrement au sol: 1.84 m x1.82 m

2.7 - Encombrement replié : 72 cm x 89,5 cm

2.8 - Poids 160 kg

2.9 - Support de charge: fourche de 74.5 cm de long.

2.10 - Matériau de construction: aluminium 6082-T6 pour la partie principale, comprenant 4 profilés et un chariot de levage. La base et les stabilisateurs sont en acier profilé conforme à la norme DIN2394. Les poulies et passages de câbles sont en acier F-114.

2.11 - Treuil: 900kg de charge maximum avec frein automatique. Conformité CE et GS TÜV.

2.12 - Câble en acier conforme DIN3060. Force de traction 180kg/mm², inoxydable, conçu pour éviter les torsions. Câble de 5mm de diamètre.

3. INSTRUCTIONS DE SECURITE.

3.1 - Le Hammer est un élévateur conçu pour lever des charges vers le haut dans une direction verticale; il ne doit pas être utilisé pour lever des personnes.



3.2 - Il convient de placer le lève-matériaux sur une surface stable et plane. Toujours vérifier qu'il soit bien en position verticale sans inclinaison en s'aidant du niveau à bulle situé sur la base. Ajuster les pieds stabilisateurs en tournant les poignées pour mettre ce matériel à niveau si nécessaire. Ne jamais utiliser de cales ou tout autre objet pour mettre le lève-matériaux horizontal.



3.3 - La capacité maximale de charge, qui est indiquée sur les étiquettes figurant sur le matériel et la notice, ne doit pas être dépassée.



3.4 - Ce lève-matériaux ne doit jamais être utilisé pour lever une charge qui n'a pas été vérifiée. Il est impératif de contrôler que la charge est correctement posée et centrée sur le support de levage qui convient afin que le poids de la charge soit levé parfaitement à la verticale.



3.5 - Vérifier que les jambes et les stabilisateurs soient correctement posés et installés et que les goupilles de sécurité soient insérées et verrouillées.



3.6 - Ne jamais utiliser ce lève-matériaux sur un véhicule ou sur toute surface mobile.



3.7 – Ne jamais utiliser cet élévateur en cas de vents forts ou de bourrasques. Ne jamais attacher le matériel sur un véhicule ou tout autre dispositif mobile.



3.8 - Ne pas déplacer le lève-matériaux lorsque celui-ci porte une charge à une hauteur supérieure à 30cm du sol. Il est déconseillé de procéder à tout type de déplacement horizontal, même pour de légers ajustements. Il ne faut déplacer le lève-matériaux que lorsque la charge est à la hauteur minimale.



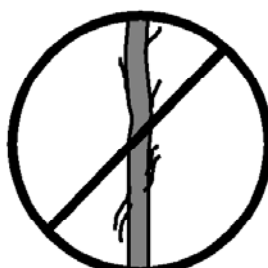
3.9 - Interdire à toute personne de se tenir sous une charge ou à proximité de la zone de travail.



3.10 – Faire attention en levant une charge à tout obstacle situé en hauteur, tels que des balcons, corniches, enseignes lumineuses. Il est très important d'empêcher la présence de câbles au-dessous du lève-matériaux en cours d'utilisation.



3.11 - Ne pas poser d'échelle contre le lève-matériaux ou utiliser le lève-matériaux comme support pour une échelle



3.12 - Avant d'utiliser le lève-matériaux, toujours vérifier l'état du câble. Si le câble est entortillé, usé, effiloché, endommagé ou s'il possède quoi que ce soit qui pourrait entraver sa rotation autour des poulies, ne pas utiliser l'appareil. Toujours utiliser des câbles fournis par le fabricant réf DIN3060. Qualité : 180kg/mm².



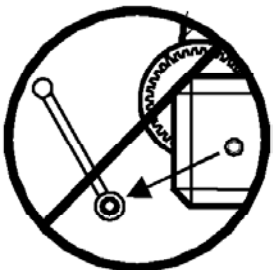
3.13 - Avant de transporter le lève-matériaux, toutes les sections de mât doivent être descendues et les stabilisateurs doivent être remis en position de transport



3.14 - Ne pas graisser ou lubrifier le système de frein du système de frein du treuil. Les disques de frein ont été graissés avec une graisse spéciale résistant à la chaleur et à la pression. Il convient de ne pas utiliser d'autres produits qui pourraient affecter l'efficacité du système de frein.



3.15 - La charge minimale pour éviter tout problème avec le mécanisme de freinage est de 25kg. Le système de freinage ne fonctionnera pas avec un poids inférieur à 25kg.



3.16 - Ne jamais enlever la poignée de la manivelle lorsque le lève-matériaux soulève une charge ou que les mâts sont en hauteur.



3.17 – Seules les pièces détachées d'origine fournies par l'usine doivent être utilisées.

4. PROCEDURE DE MISE EN SERVICE.

4.1 – Blocage des mâts avant basculement : Avec le lève-matériaux en position verticale, abaisser tous les profilés en aluminium en tournant la poignée du treuil dans le sens inverse des aiguilles d'une montre. Puis dégager de son logement la pièce de blocage de transport **P** (**figure 4.6.1**) située sur le côté de l'élévateur, tourner la pièce (**P**) jusqu'à ce qu'elle bloque le dernier profilé. Ainsi, tout mouvement des profilés sera rendu impossible.

4.2 - Placez la poignée de transport (**T**) en position horizontale et verrouillez-la avec la goupille et la clavette (**voir schéma 4.2.1**), puis faites basculer le lève-matériaux horizontalement sur les roues en plastique (**voir schéma 4.2.2**).

4.3 - Lorsque le lève-matériaux est en position horizontale, sortir la clavette (**P**) de son logement (**B**) (**schéma 4.3.1**). Puis faire basculer ou abaisser le pied avant (**FL**) jusqu'à ce qu'il soit en position de travail. Insérer la clavette en position de travail (**W**) pour empêcher tout mouvement du pied (**schéma 4.3.2**). Répéter l'opération avec le deuxième pied.

Figure 4.2.1

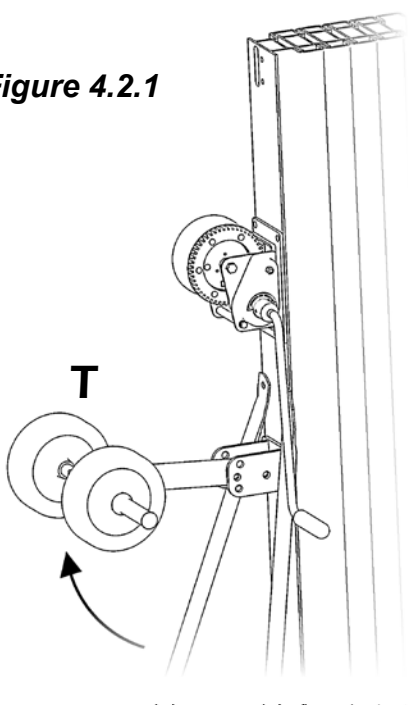


Figure 4.3.1

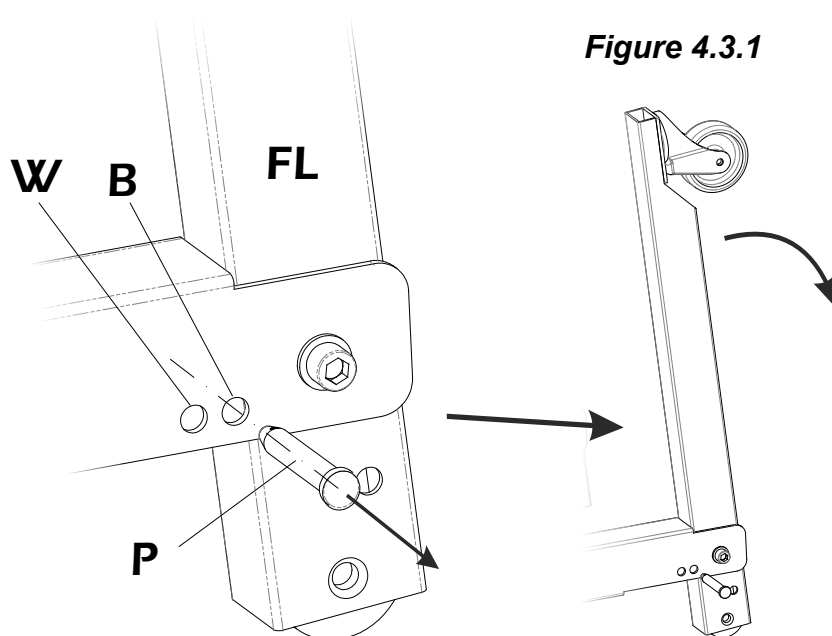


Figure 4.2.2

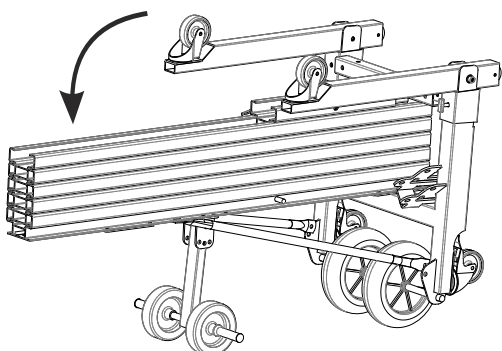
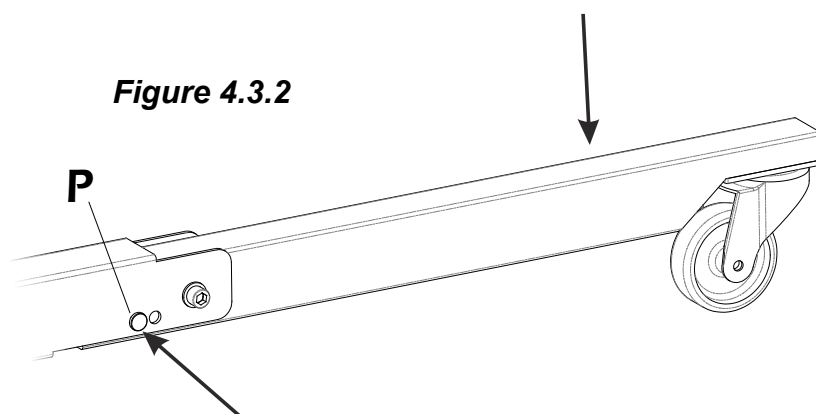


Figure 4.3.2



4.4 - Déverrouillez le pied le plus court (**SL**) en sortant la clavette de sécurité de la position de transport (**S1**) puis incliner le pied en le faisant glisser vers la base jusqu'à ce qu'il soit horizontal, puis verrouillez avec la goupille et la clavette le pied en position de travail (**S2**). Répétez l'opération pour chaque pied (**voir schéma 4.4.1**).

4.5 - Une fois que les pieds sont en position de travail, faire basculer doucement le lève-matériaux pour le remettre en position verticale. En utilisant les roues de transport, amenez le lève-matériaux à l'endroit où il doit être utilisé. Notez que le lève-matériaux doit être utilisé sur une surface plane et stable afin de pouvoir l'utiliser dans les conditions optimales.

4.6 – ATTENTION! NE PAS UTILISER LE LEVE-MATERIAUX SANS ENLEVER LE VERROU DE TRANSPORT. Comme indiqué dans la section **4.6.1**, sur le côté du lève-matériaux, il s'agit du frein de transport. Il faut le lever comme indiqué sur le schéma **4.6.1** afin de le placer en position verticale, de déverrouiller les sections de mât et d'utiliser l'élévateur sans difficultés.

Figure 4.4.1

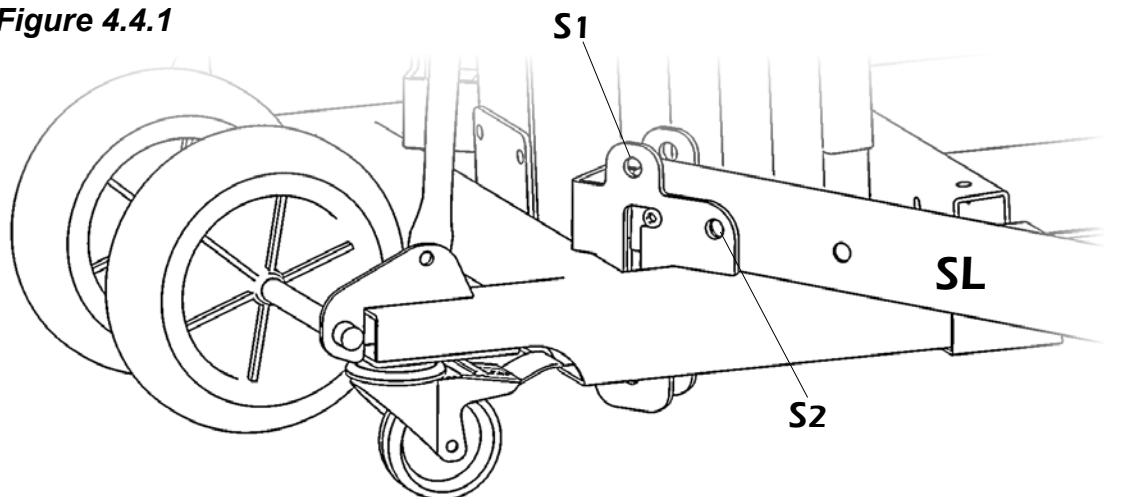
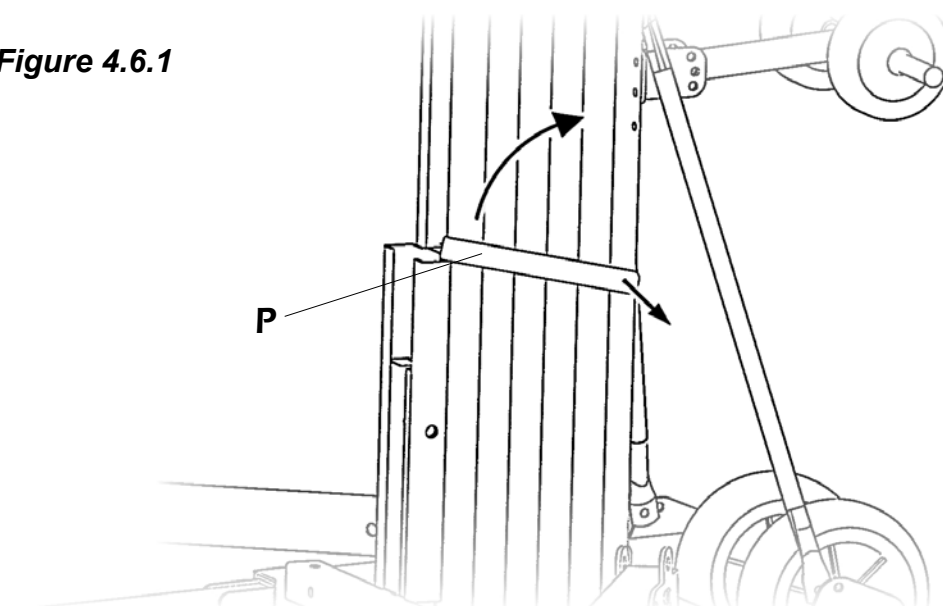


Figure 4.6.1



4.7 – Déployez le lève-matériaux en tournant la poignée du treuil dans le sens des aiguilles d’une montre jusqu’à ce que le dernier mât en aluminium soit au-dessus de la base. Puis positionnez les fourches et placez-les en position horizontale contre le chariot de levage (les fourches doivent pointer vers le haut, jamais vers le bas), puis verrouillez les fourches avec les clavettes et les crochets (Voir schémas 4.7.1 et 4.7.2).

Figure 4.8.1

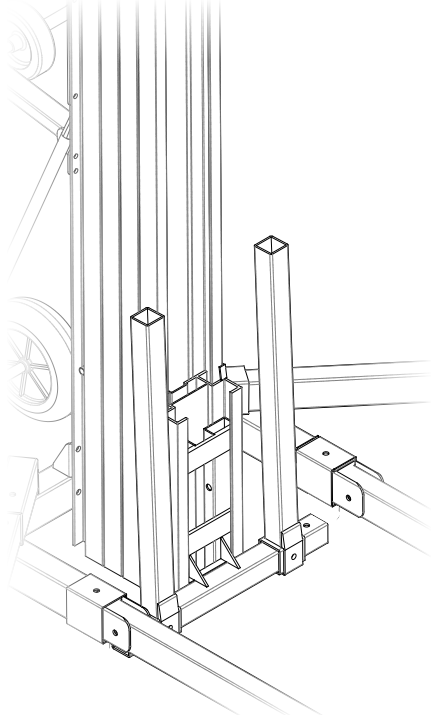
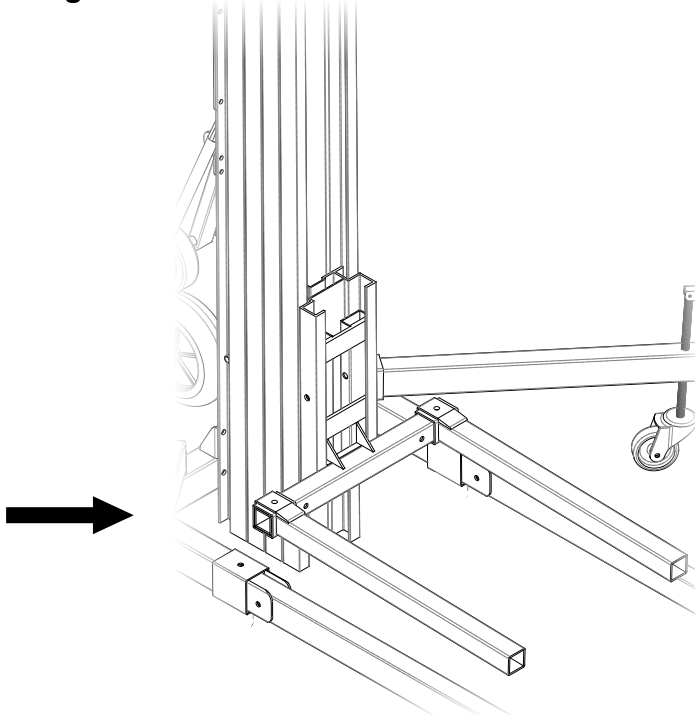


Figure 4.8.2



4.8 - IL EST IMPERATIF DE NE JAMAIS DEPASSER LA CHARGE MAXIMALE.

La charge maximale ne doit JAMAIS être dépassée. La sécurité au travail est primordiale. Placez la charge sur les fourches en utilisant un support fourni par le fabricant adapté à votre besoin, de sorte que le poids de la charge reste stable et ne se déplace que dans le sens de la verticalité. La charge minimum doit être de 25 kg.

IMPORTANT – POSITIONNEMENT DE LA CHARGE SUR LA FOURCHE

Positionnez toujours la charge le plus près possible du mât. Suivez les instructions du schéma ci-dessous afin de placer la charge correctement. Le diagramme 4.9 indique la charge maximale lorsque l’on s’éloigne du centre de gravité de l’appareil. Notez que la charge maximale diminue au fur et à mesure que l’on s’éloigne de la base.

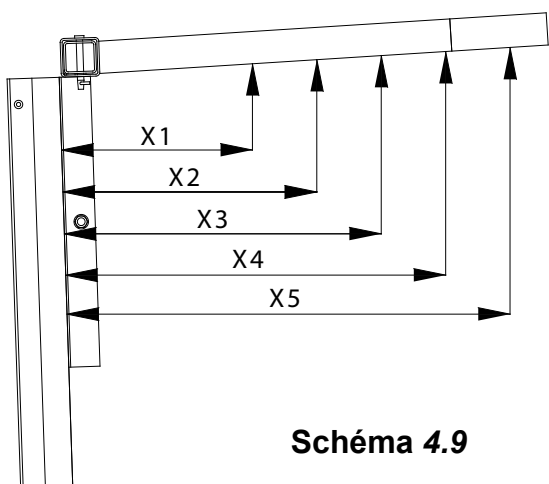


Schéma 4.9

kuzar®			HAMMER 56
POSITION	DISTANCE	LOAD	PERCENTAGE
X1	25 cm	300 kg	100%
X2	35 cm	285 kg	95%
X3	45 cm	250 kg	83%
X4	55 cm	225 kg	75%
X5	65 cm	150 kg	50%
X6	75 cm	100 kg	33%

4.10 - Levage et maintien en position: pour lever les fourches, tournez la poignée du lève-matériaux dans le sens des aiguilles d'une montre. Le lève-matériaux peut être maintenu à une position intermédiaire : lorsque les fourches se trouvent à la hauteur souhaitée, les freins automatiques d'enclenchent et maintiennent la charge à cette hauteur.

4.11 - Descente des fourches: Pour faire descendre les fourches, il faut d'abord tourner légèrement la poignée du treuil dans le sens des aiguilles d'une montre pour débloquer le frein, puis dans le sens inverse jusqu'à ce que toutes les sections de mât soient abaissées.

4.12 - Déplacement de la charge: le lève-matériaux HAMMER peut être déplacé avec une charge si nécessaire. Mais avant de déplacer le lève-matériaux, il convient de baisser à la position la plus basse les fourches afin d'éviter que la charge ne se balance, ne s'accroche ou ne tape sur un quelconque obstacle situé en hauteur. Ne JAMAIS utiliser le lève-matériaux en cas de vents forts (voir point 3.7).

4.13 - Système de sécurité du lève-matériaux: Le lève-matériaux comprend un système interne de frein afin d'assurer votre sécurité en cas de rupture de câble. Ce système comprend un système de balancier sur chaque section de mât qui s'active automatiquement dans le cas d'une chute soudaine du chariot de levage. Si le système de balancier s'enclenche inopinément, il suffit de lever chaque section de mât pour le déverrouiller.

4.14 - Positionnement des fourches: Les fourches du lève-matériaux peuvent être positionnées de deux manières. Pour changer la position, il suffit d'enlever les fourches, puis desserrer l'écrou et enlever la vis afin de faire glisser les fourches hors du chariot, tourner les fourches à 180° et la remettre de l'autre côté du chariot de levage en aluminium en l'enfonçant au maximum, puis remettre la vis et resserrer l'écrou. La hauteur maximum de lève-matériaux est obtenue lorsque les fourches sont en position haute.

4.15 - Rangement et Transport: Pour replier le lève-matériaux, au préalable bloquez les mâts avec la pièce (P) (figure 4.6.1), placez celui-ci en position horizontale sur les roues la poignée de transport (T), tel qu'expliqué dans la section 4.2, enlever la clavette (P) de la position de travail (W) (voir schéma 4.15.1), puis replier le pied tel que décrit dans le schéma 4.15.2. Enfin, remettre la clavette en position de transport (B) et la bloquer avec la goupille pour maintenir la position du pied et éviter tout mouvement pendant le transport du lève-matériaux (schéma 4.15.3).

Figure 4.15.1

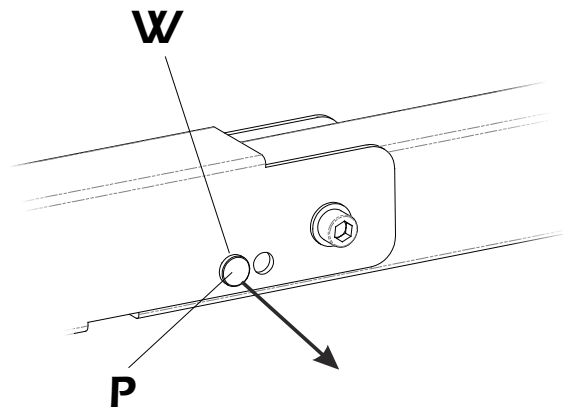


Figure 4.15.2

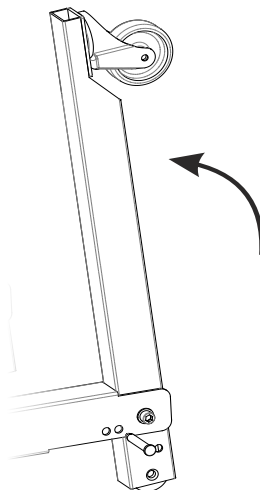
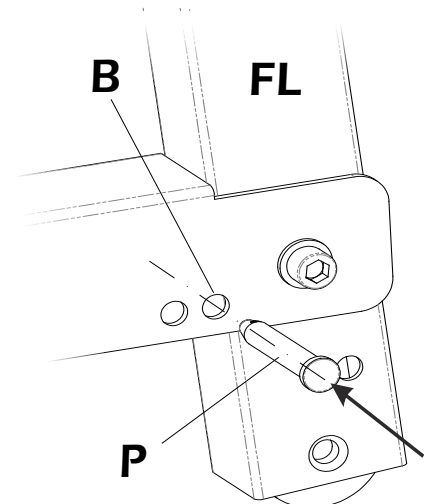


Figure 4.15.3



5 - ENTRETIEN.

5.1 - Les câbles doivent être vérifiés régulièrement. Les câbles en mauvais état doivent être remplacés immédiatement. N'utilisez jamais le lève-matériaux dont le câble est défectueux car cela peut être potentiellement très dangereux. Il convient d'utiliser des câbles DIN3060 fournis par un distributeur agréé.

5.2 – Les mécanismes de ce lève-matériaux sont suffisamment graissés en sortie d'usine. Cependant, en fonction de l'usage que vous en ferez, nous vous recommandons de vérifier régulièrement si les roues crantées du treuil, les bagues et patins de l'arbre d'entraînement ainsi que la poignée et les sections de mât sont périodiquement graissés avec le lubrifiant approuvé.

ATTENTION:

Ne lubrifiez pas le système de frein. Les disques de frein ont été graissés avec une graisse spéciale résistant à la chaleur et à la pression. Pour éviter tout dysfonctionnement avec le frein de treuil, aucun produit ne doit être utilisé pour le lubrifier, sauf le produit d'origine fournie par le constructeur. Il n'est pas nécessaire de graisser les disques de frein.

5.3 - Votre lève-matériaux doit être inspecté au moins une fois par an par un organisme de contrôle agréé.

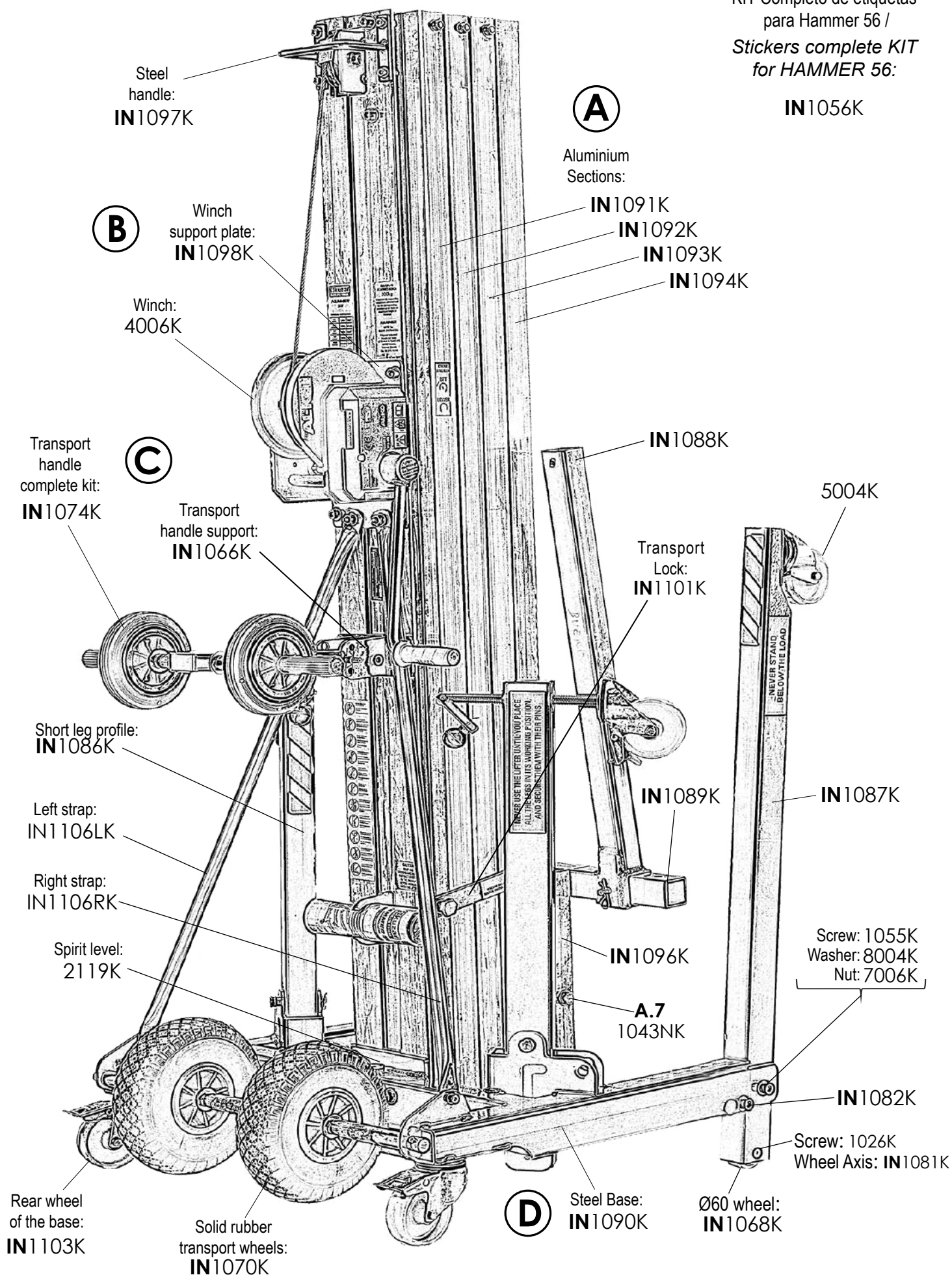
5.4 - Seules les pièces de rechange du constructeur doivent être utilisées afin de garantir la fiabilité et la sécurité de votre lève-matériaux. L'utilisateur perd tout droit à la garantie s'il utilise des pièces détachées qui ne sont pas d'origine.

5.5 - Si vous avez besoin d'une pièce détachée, merci d'indiquer au fabricant/revendeur le n° de référence de la pièce.

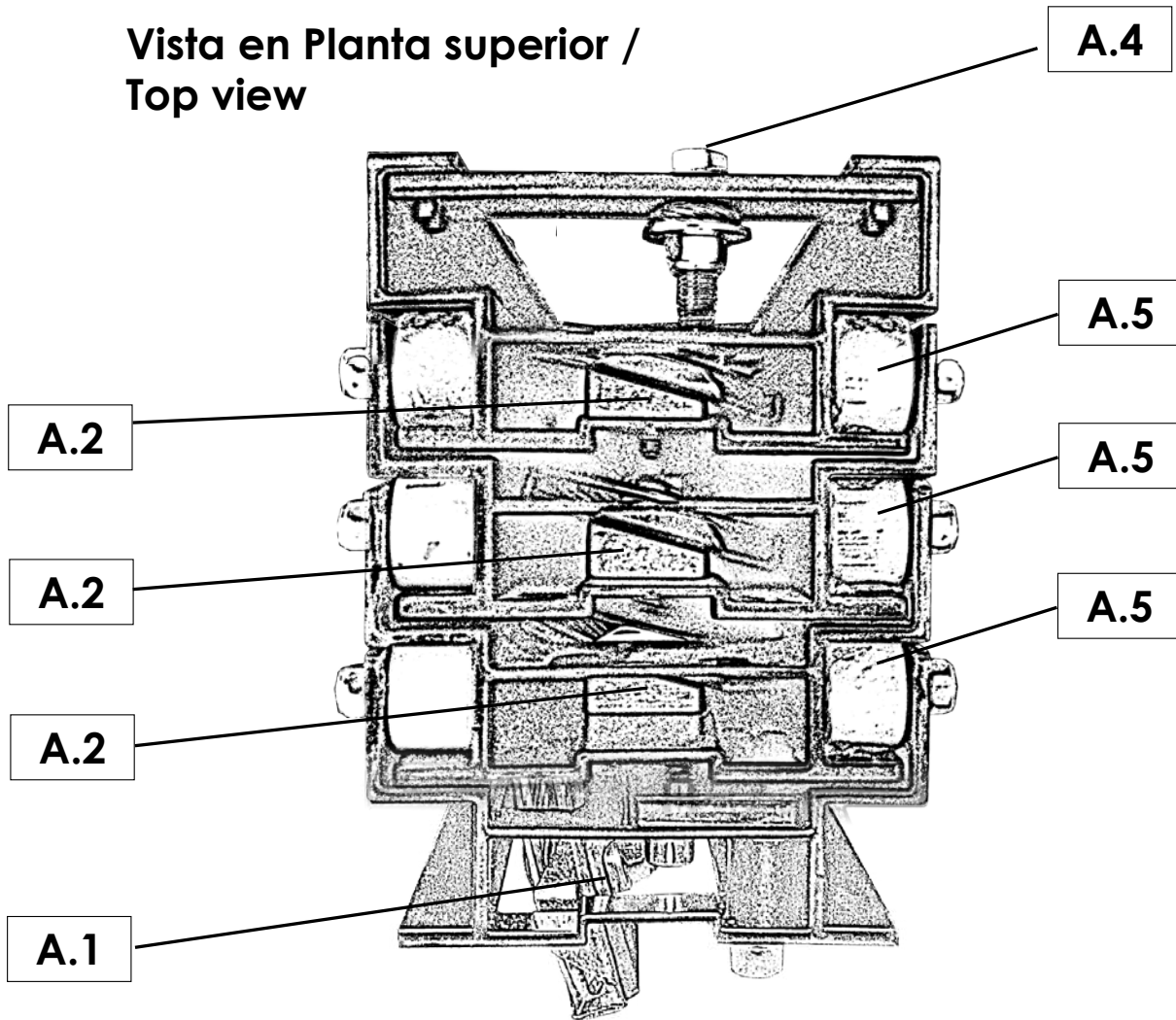
HAMMER 56

KIT Completo de etiquetas
para Hammer 56 /
Stickers complete KIT
for HAMMER 56:

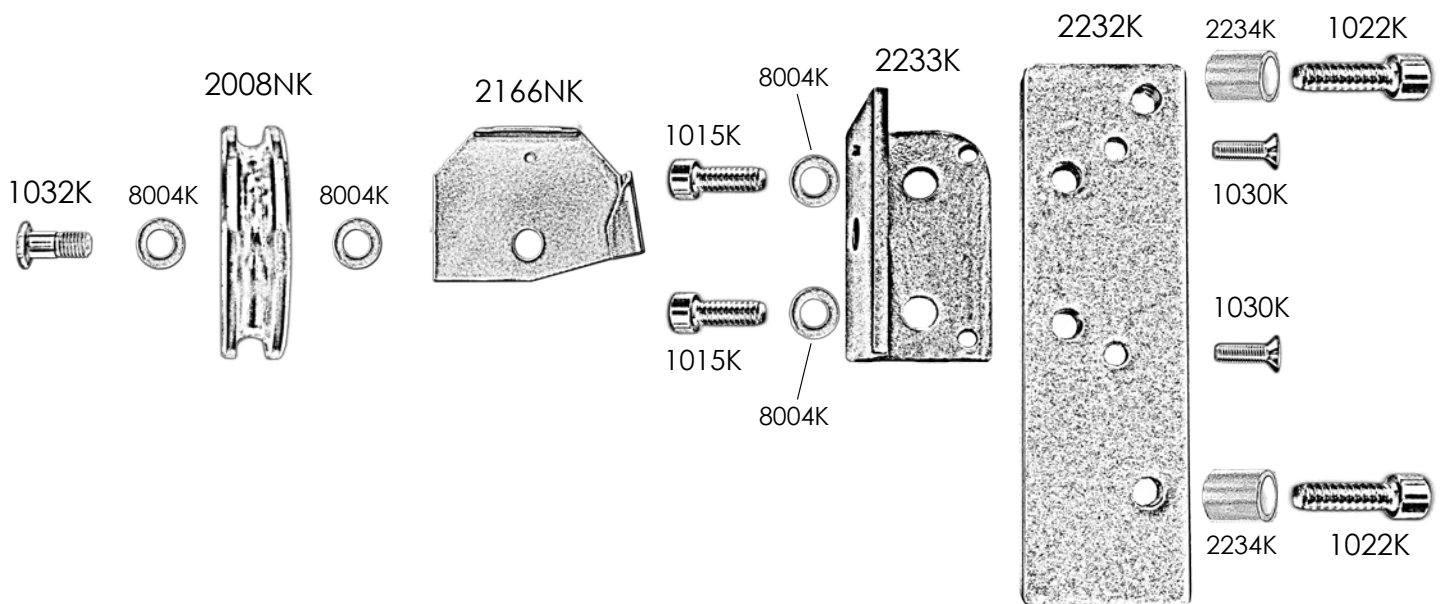
IN1056K



Vista en Planta superior /
Top view

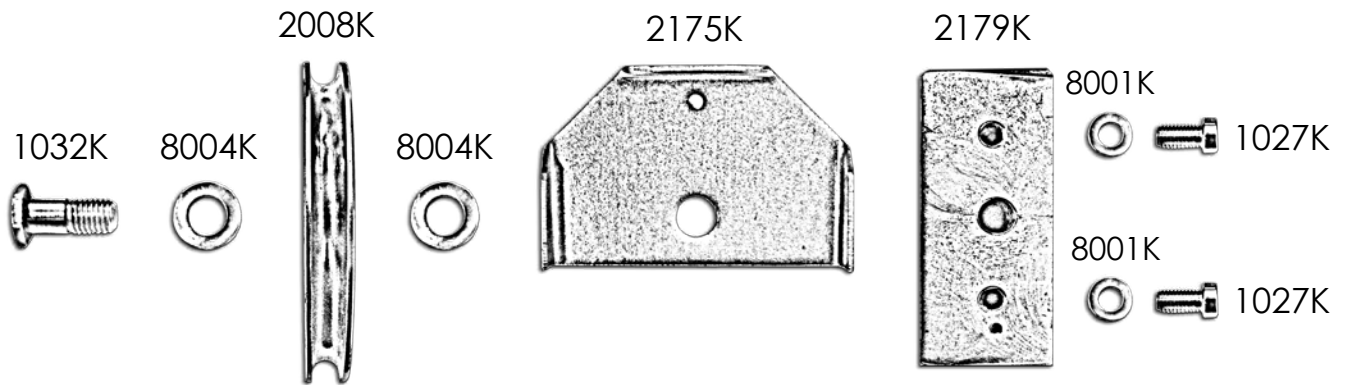


A.1 - Reenvío superior Tramo 1 Base / Upper pulley set on Section 1 Base

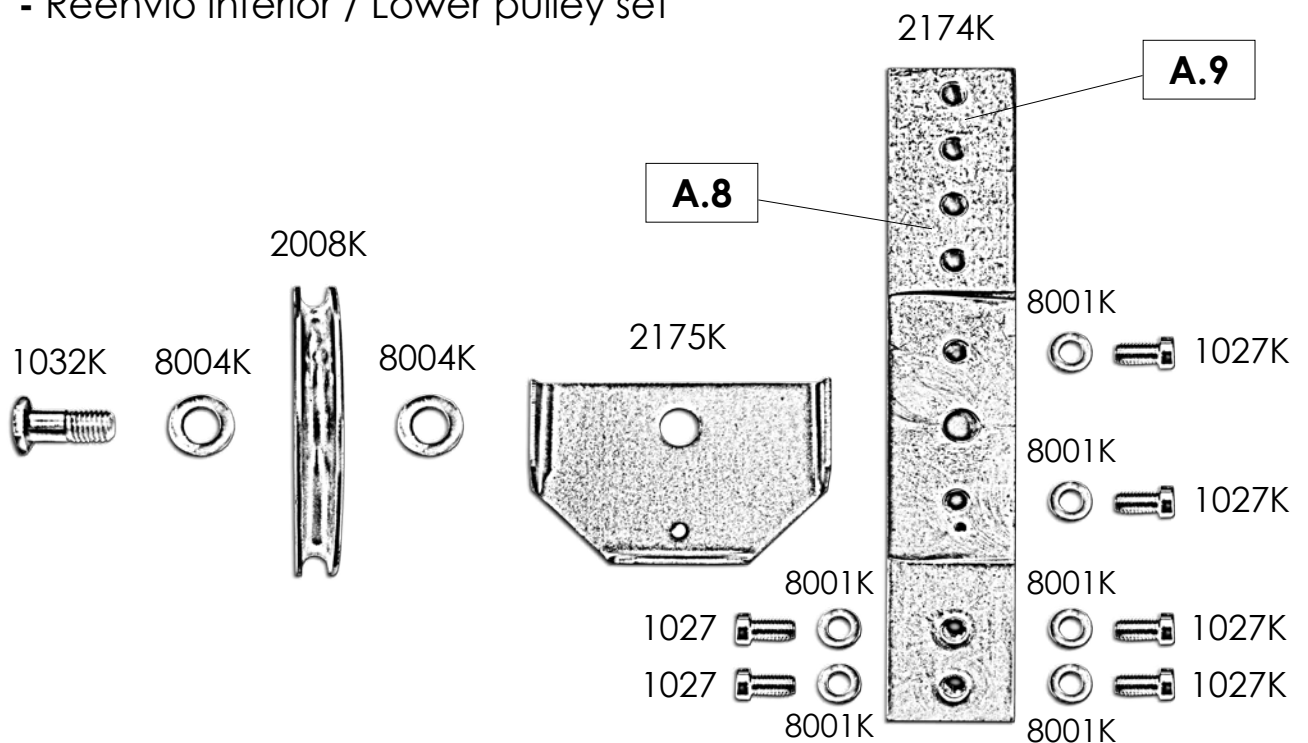


HAMMER 56

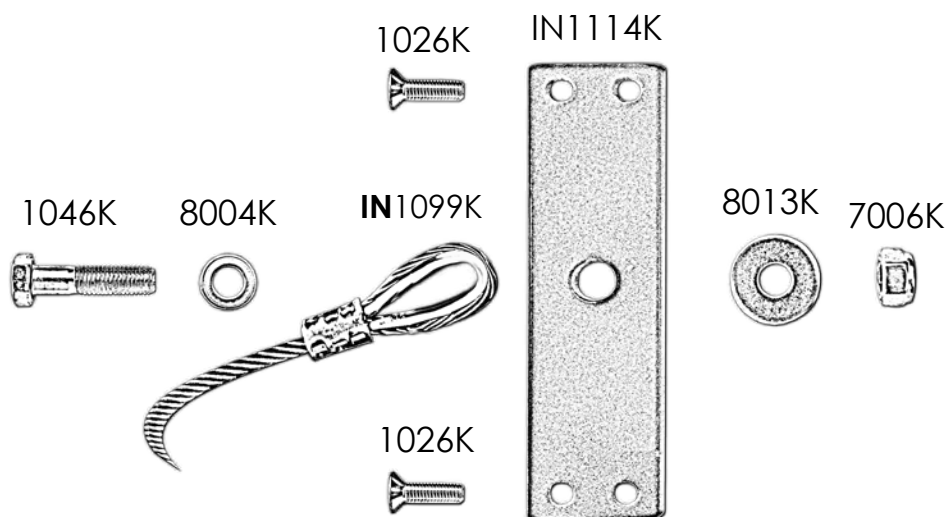
A.2 - Reenvío superior Tramos 2 a 4/ Upper pulley set on sections 2 to 4



A.3 - Reenvío inferior / Lower pulley set

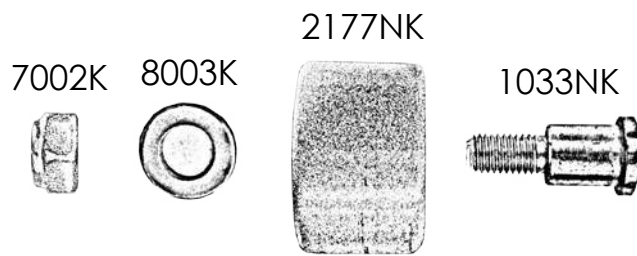


A.4 - Fijación final de cable / Cable fixation

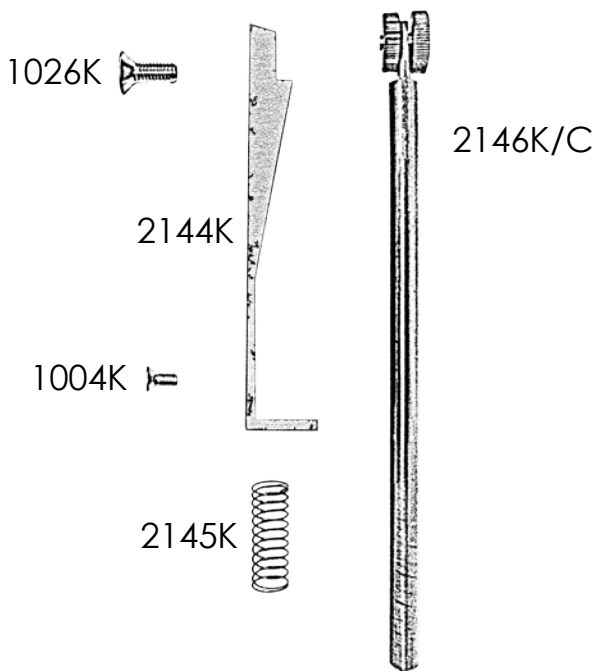


HAMMER 56

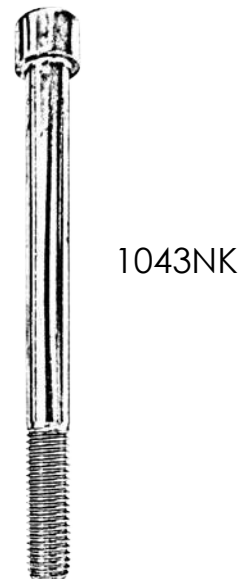
A.5 - Rodillo Nylon / Nylon roller



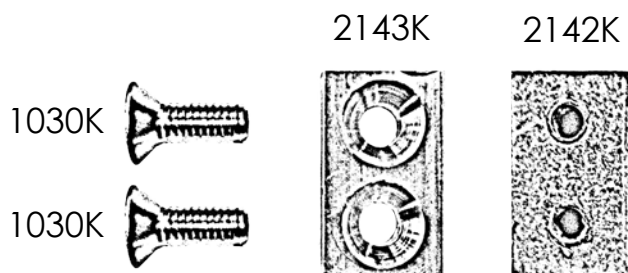
A.6 - Freno de Inercia / Inertial break



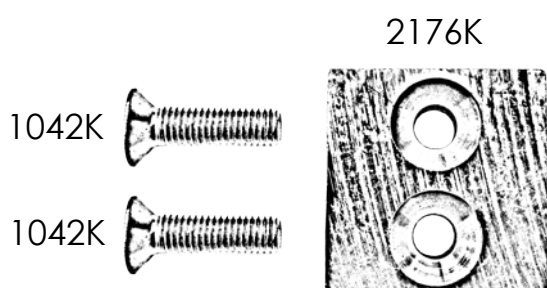
A.7 - Tornillo fijación soporte brazos / Fixation screw for the forks support



A.8 - Taco tope barras superior / Upper stop piece



A.9 - Taco tope barras inferior / Lower stop piece



HAMMER 56

B

Screw: 1020K
Washer: 8001K
Nut: 7001K

Steel handle:
IN1097K

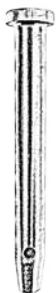
Steel cable:
IN1099K

Screw: 1028K
Washer: 8003K
Nut: 7002K

Winch:
4006K

Winch plate:
IN1098K

2156K



2157K



Screw: 1036K
Washer: 8006K
Nut: 7001K

Left strap:
IN1106LK

Right strap:
IN1106RK

Transport handle support:
IN1066K

Ø160mm Wheel of transport handle:
IN1069K

Screw: 1006K
Washer: 8003K
Nut: 7002K

Transport handle steel profile:
IN1079K

Screw: 1060K
Washer: 8003K
Nut: 7002K

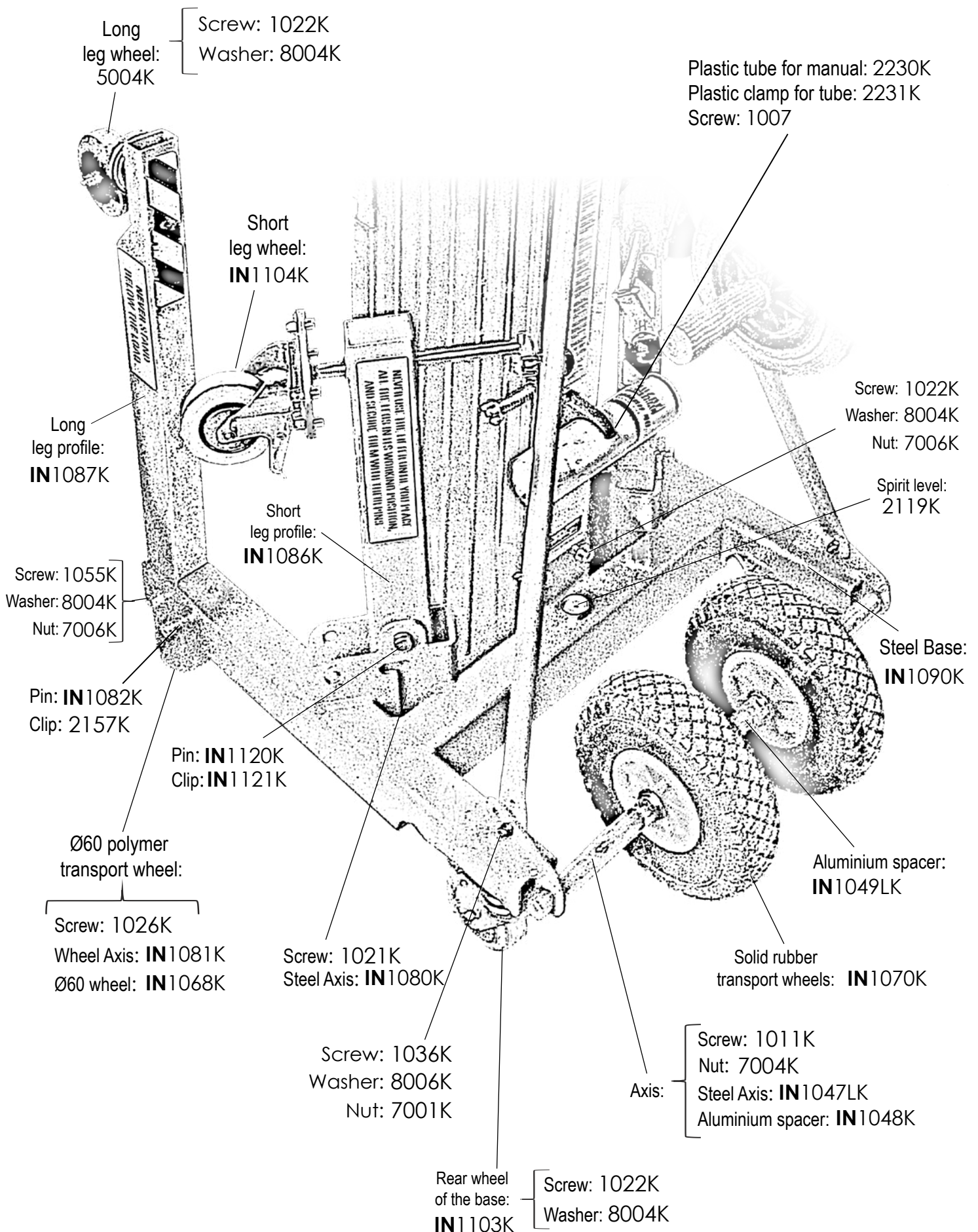
Pin:
2156K
Clip:
2157K

Transport handle complete kit:
IN1074K

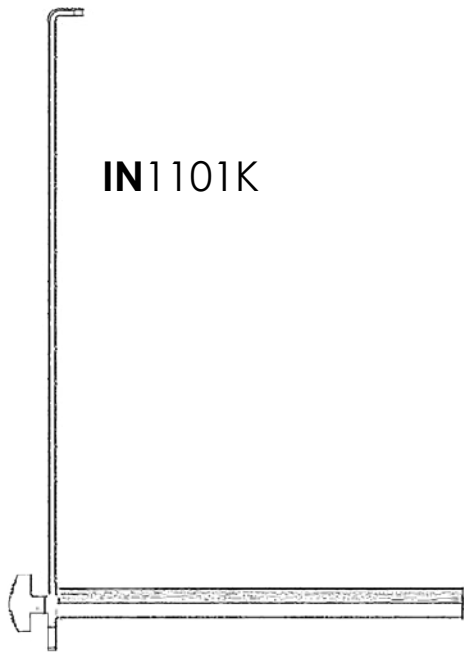
Plastic end cap:
IN1075K

Plastic handgrip:
IN1078K

C



HAMMER 56



IN1101K

Bloqueo de transporte /
Transport lock:

8009K

IN1067K

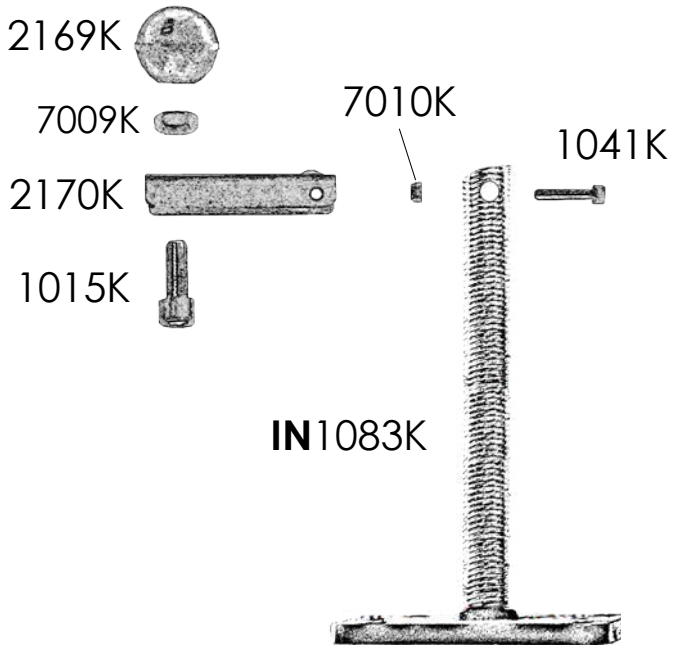
8009K

7004K

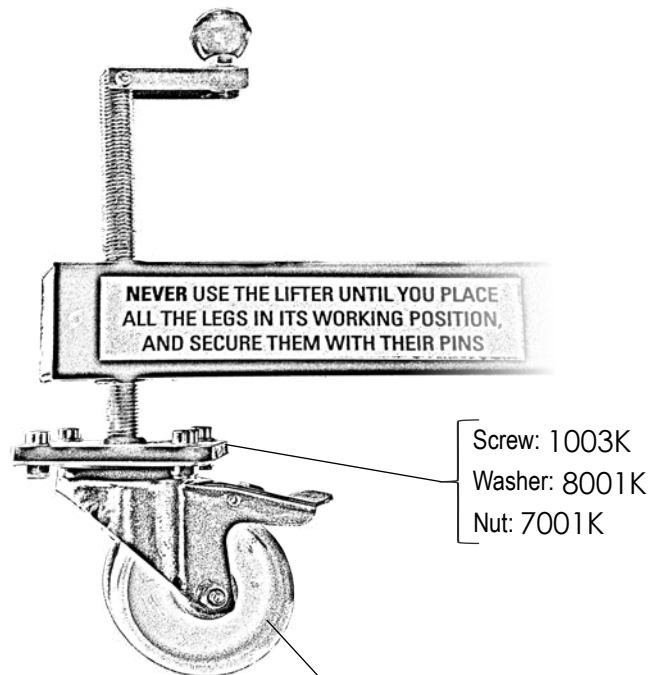
1031K

E

Estabilizador completo /
Complete stabilizer kit: **IN1085K**



IN1083K



Short leg wheel with brake:

IN1104K

<i>Código / Code</i>	<i>Descripción / Description</i>
1003K	Tornillo allen M8x16 / Allen screw M8x16
1004K	Tornillo cónico M5x12 / Conic screw M5x12
1006K	Tornillo allen M10x25 / Allen screw M10x25
1007K	Tornillo allen M6x20 / Allen screw M6x20
1011K	Tornillo allen M5x25 / Allen screw M5x25
1015K	Tornillo allen M12 x 25 / Allen screw M12 x 25
1020K	Tornillo allen M8 x 25 / Allen screw M8 x 25
1021K	Tornillo allen M10x20 / Allen screw M10x20
1022K	Tornillo allen M12x40 / Allen screw M12x40
1026K	Tornillo cónico M8x20 / Conic screw M8x20
1027K	Tornillo especial M8x16 / Special screw M8x16
1028K	Tornillo allen M10x30 / Allen screw M10x30
1030K	Tornillo cónico M8x25 / Conic screw M8x25
1031K	Tornillo allen M5x20 / Allen screw M5x20
1032K	Tornillo especial cabeza plana / Special flat M12 screw
1033NK	Tornillo rodillo delrin / Delrin roller screw
1036K	Tornillo allen M8x30 / Allen screw M8x30
1041K	Tornillo allen M6 x 40 / Allen screw M6 x 40
1042K	Tornillo cónico M8 x 30 / Conic screw M8 x 30
1043NK	Tornillo allen M14 x 200 / Allen screw M14 x 200
1046K	Tornillo especial M12 x 45 / Special Screw M12 x 45
1055K	Tornillo allen M12 x 80 / Allen screw M12 x 80
1060K	Tornillo allen M10 x 80 / Allen screw M10 x 80
2008K	Polea Ø90x12mm / Pulley Ø90x12mm
2008NK	Polea ancha Ø90x17mm / Wide pulley Ø90x17mm
2119K	Nivel de burbuja / Spirit level indicator
2142K	Tope tramos / Section Top
2143K	Tope roscado tramos / Section screw top
2144K	Rampa freno / Brake ramp
2145K	Muelle / Spring
2146K/C	Freno de carro / Carriage break
2156K	Pasador / Pin
2157K	Clip "R" / "R" Shape clip
2166NK	Cubre cable polea entrada Ø90 ancha / Cable entry Ø90 wide pulley cover
2169K	Bola grande de estabilizador / Big stabilizer ball
2170K	Manivela grande estabilizador / Big stabilizer handle

<i>Código / Code</i>	<i>Descripción / Description</i>
2174K	Macizo porta-poleas inferior / Lower pulley support piece
2175K	Cubre cable polea Ø90 / Pulley cover Ø90
2176K	Taco tope tramos ancho / Large stop piece
2177NK	Rodillo delrin grande / Large delrin roller
2179K	Macizo porta-poleas superior / Upper pulley support piece
2230K	Tubo de plástico transparente para manuales / Plastic tube for manual
2231K	Garra de plástico para tubo manual
2232K	Pletina hierro porta-poleas tramo 1 / Steel plate for 1st section pulley
2233K	Ángulo de hierro porta-poleas tramo 1 / Steel angle plate for 1st section pulley
2234K	Casquillo aluminio Ø25x3mm / Aluminium shell Ø25x3mm
4006K	Cabrestante 900kg Alko Optima / 900kg Alko Optima Winch
5004K	Rueda blanca Ø100 pernio zincado / White wheel Ø100 silver
7001K	Tuerca M8 autoblocante / Auto-block nut M8
7002K	Tuerca M10 autoblocante / Auto-block nut M10
7004K	Tuerca M5 autoblocante / Auto-block nut M5
7006K	Tuerca M12 autoblocante / Auto-block nut M12
7007K	Tuerca mariposa autoblocante / Butterfly nut M14
7009K	Tuerca M12 / Nut M12
7010K	Tuerca M6 autoblocante / Auto-block nut M6
8001K	Arandela M8 / M8 washer
8003K	Arandela M10 / M10 washer
8004K	Arandela M12 / M12 washer
8006K	Arandela M8 ancha / Wide M8 washer
8009K	Arandela M14 / M14 washer
8013K	Arandela M12 ancha / Wide M12 washer

<i>Código / Code</i>	<i>Descripción / Description</i>
IN1047LK	Eje de acero Ø20x710mm ruedas macizas / Ø20x615mm Steel axis for solid wheels
IN1048K	Casquillo separador aluminio Ø25x2 a 150mm / Ø25x2 / 150mm aluminium spacer
IN1049LK	Casquillo separador aluminio Ø25x2 a 193mm / Ø25x2 / 193mm aluminium spacer
IN1056K	Kit completo etiquetas Hammer 56 / Stickers complete kit for Hammer 56
IN1066K	Soporte de acero asa transporte / Transport handle steel support
IN1067K	Muelle especial bloqueo transporte Hammer / Special spring for Hammer blocker
IN1068K	Rueda Ø60 inferior pata larga / Ø60 Wheel bottom part of long leg
IN1069K	Rueda Ø160 para asa de transporte / Ø160 Wheels for transport handle
IN1070K	Rueda Ø260 transporte goma maciza / Ø260 Solid rubber transport wheels
IN1074K	Kit asa transporte completo Hammer / Hammer transport handle complete kit
IN1075K	Tapón negro asa transporte Hammer / Plastic end cap for Hammer transport handle
IN1078K	Grip o empuñadura plástico asa transporte / Plastic handgrip for transport handle
IN1079K	Perfil de acero asa transporte / Transport handle steel profile
IN1080K	Eje de acero Ø16x43mm M10 pata corta / Ø16x43mm M10 Steel axis for short leg
IN1081K	Eje Ø12x43mm de acero ruedas Ø60 / Ø12x43mm Steel axis for Ø60 wheels
IN1082K	Pasador especial Ø12x80mm bloqueo patas/ Special pin Ø12x80 legs blocker
IN1083K	Varilla roscada M24 con placa soldada / M24 threaded bolt with welded plate
IN1085K	Kit estabilizador completo Hammer 56 y 73 / Complete stabilizer kit Hammer 56&73
IN1086K	Perfil pata lateral corta Hammer 56 y 73 / Short leg profile Hammer 56&73
IN1087K	Perfil pata frontal larga Hammer 56 y 73 / Long leg profile Hammer 56&73
IN1088K	Brazo de carga largo reforzado Hammer 56 y 73 / Long forks reinforced Hammer 56&73
IN1089K	Soporte brazos de carga Hammer 56 y 73 / Forks support Hammer 56&73
IN1090K	Base de acero Hammer 56 y 73 / Steel base Hammer 56&73
IN1091K	Tramo 1 aluminio (Base) Hammer 56 y 73 / Aluminium section 1 Hammer 56&73
IN1092K	Tramo 2 aluminio Hammer 56 y 73 / Aluminium section 2 Hammer 56&73
IN1093K	Tramo 3 aluminio Hammer 56 y 73 / Aluminium section 3 Hammer 56&73
IN1094K	Tramo 4 aluminio Hammer 56 y 73 / Aluminium section 4 Hammer 56&73
IN1096K	Tramo carro aluminio Hammer 56 y 73 / Lifting carriage section Hammer 56&73
IN1097K	Asa de acero Hammer 56 y 73 / Steel grip Hammer 56&73
IN1098K	Placa cabrestante Hammer 56 y 73 / Winch plate support Hammer 56&73
IN1099K	Cable de acero Hammer 56 / Steel cable Hammer 56
IN1101K	Bloqueo de transporte Hammer 56 / Transport security blocker for Hammer 56
IN1103K	Rueda blanca Ø100 con freno pernio zincado / Ø100 Wheel with break one screw
IN1104K	Rueda blanca Ø100 con freno plato zincado / Ø100 Wheel with break plate support
IN1106LK	Tirante acero largo izquierdo / Long steel left strut
IN1106RK	Tirante acero largo derecho / Long steel right strut
IN1114K	Pletina fijación final de cable / Cable end fixation plate
IN1120K	Pasador Ø16x89mm / Steel pin Ø16x89
IN1121K	Clip redondo de seguridad / Security ring clip



DECLARACIÓN DE CONFORMIDAD

TRUSSES & TOWERS, S.L., con C.I.F. B96939285, como fabricante de ESTRUCTURAS PARA ESCENARIOS con domicilio social en: C/ Ciudad de Barcelona 19, Pol. Ind. Fuente del Jarro · 46988 Paterna · Valencia · Spain.

declara bajo su única y exclusiva responsabilidad que el producto:

Marca:	KUZAR
Descripción:	Torre elevadora Industrial
Modelo:	Hammer 56
Altura máxima:	5.60 m
Carga máxima admisible:	300 kg
Peso:	160 kg

Es conforme con los requisitos esenciales de las siguientes Directivas Comunitarias:

- **2006/42/CE** Directiva sobre Seguridad en Máquinas, que deroga a 98/37/CEE Directiva sobre Seguridad en Máquinas.

Que en su diseño y fabricación han sido tenidos en cuenta tanto en su totalidad como parcialmente, los aspectos recogidos en las normas armonizadas siguientes:

- UNE-UNE-EN 292-1:93 93 “Seguridad de las máquinas. Conceptos básicos, principios generales para el diseño. Parte 1: Terminología básica, metodología”.
- UNE EN 292-2: 93 + A1:96 + A1 ERRATUM: 97 Seguridad de las máquinas. Conceptos básicos, principios generales para el diseño. Parte 2: Principios y especificaciones técnicas”.
- UNE-EN 287-1: 92 + A1:97 “Cualificación de soldadores. Soldeo por fusión. Parte 1: Aceros”.
- UNE-EN 288-3: 93 + A1:97 + ERRATUM: 94 “Especificación y cualificación de los procedimientos de soldeo para los materiales metálicos. Parte 3: Cualificación del procedimiento para el soldeo por arco de aceros”.

habiendo constituido el correspondiente expediente técnico de construcción; y para que conste a los efectos oportunos emite la presente declaración de conformidad.

En Paterna, a 25 de junio de 2015

Firmado: Responsable Calidad T&T

TRUSSES & TOWERS S.L.
C.I.F. B-96.939.285
C/ Ciudad de Barcelona 19
Pol.Ind. Fuente del Jarro · 46988 PATERNA
Valencia · Spain · Tel. 96 279 83 14

DEKRA Automobil GmbH
 NL 168, Berlin
 Kurt-Schumacher-Damm 26, 13405 Berlin

No of the last test:

No of customer: 653605
 No of order:

Device data

Device type: Montagelift
 Manufacturer: KUZAR Industrial
 Type: Hammer 56
 Year: 2016
 Serial-No: 03327
 inventory-No.:

Examiner: Dipl.-Ing. Konrad Haak
 Phone: (0 30) 9860982-0
 01739552509
 Date: 21.06.2016
 Kind: Exam before first commissioning
 Expert-test:
 CP-test:
 Specification: BetrSIV, DGUV
 Vorschrift 68
 Subscriber: Mr. Nageler

DEKRA Automobil GmbH, Kurt-Schumacher-Damm 26, 13405 Berlin

PANMusic Handels GmbH
 Rolf-Diesel-Str. 4
 D-49393 Lohne

Operator:
 Address:

Report for exam by accident prevention regulations

No	Description lack	Repair or correction of defect 0 = no 1 = yes 2 = forthwith 3 = before continue to operate	Code	Completed	
				At	By

Results:
 Carrying capacity: 300kg
 Test load: 375kg

There were tested:

<input checked="" type="checkbox"/> Structures	<input checked="" type="checkbox"/> Supportmeans
<input checked="" type="checkbox"/> Protection devise	<input checked="" type="checkbox"/> Signage
<input type="checkbox"/> Electric equipment	<input checked="" type="checkbox"/> Lubrication
<input type="checkbox"/> Engines	<input checked="" type="checkbox"/> Brakes
	<input checked="" type="checkbox"/> Other

Ergebnis: no
 Coucerns against: no
 Repeat test: yes
 Plaque attached:
 Plaque validity: 06/2017
 Next expert test:
 Next competend person test: 06/2017



Stamp, signatur

Berlin, the 23.06.2016

Este manual de usuario es propiedad de KUZAR SYSTEMS S.L. Queda prohibida su reproducción total o parcial por cualquier medio que la tecnología actual permita. Depósito legal y copyright 2016.
Todos los derechos reservados.



Para más información consulte con nuestros técnicos en:



C/ Ciudad de Ferrol nº 8
Pol. Ind. Fuente del Jarro
46988 Paterna - Valencia (Spain)
Tel. +34 96 279 83 14
info@kuzarindustrial.es